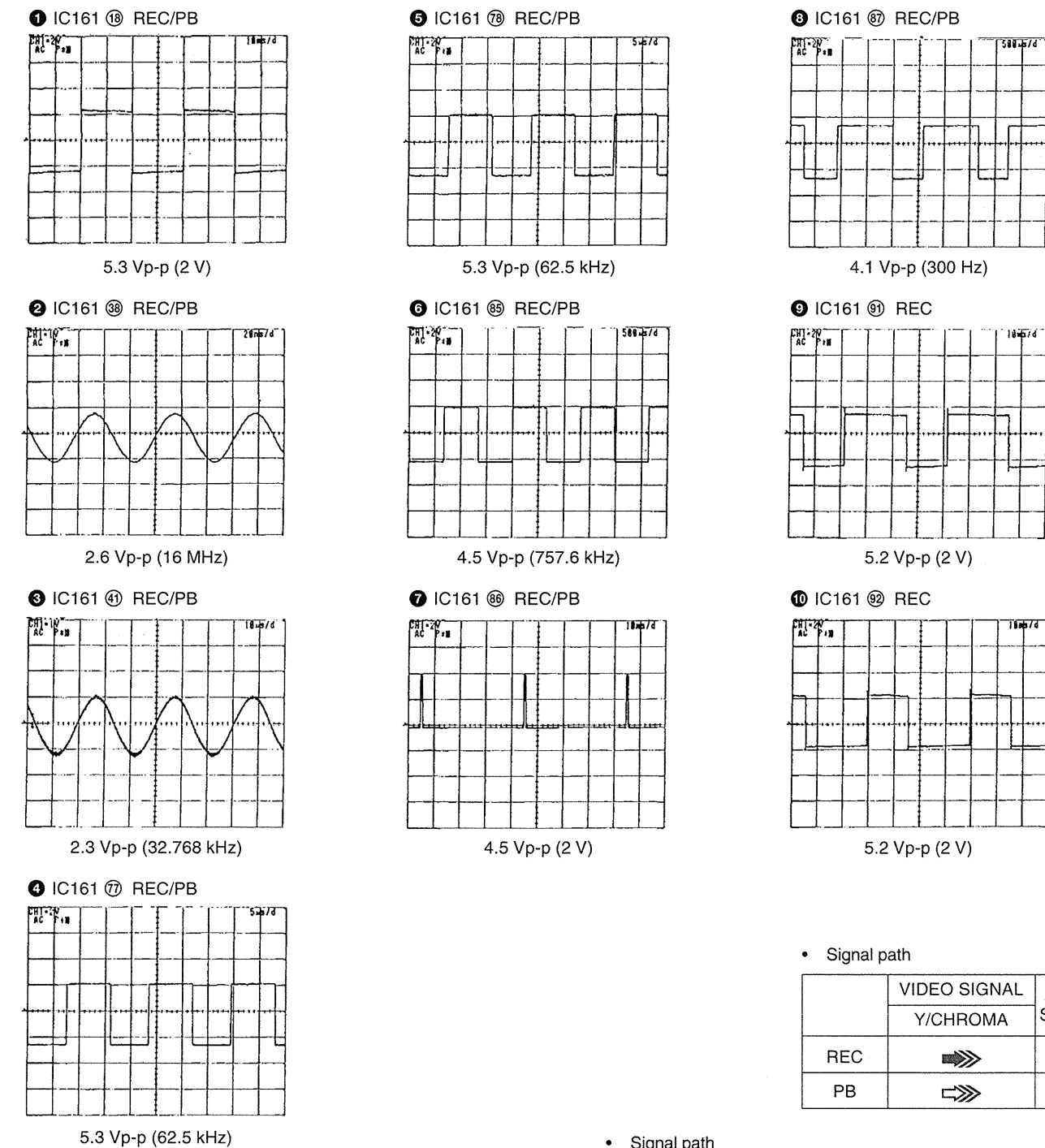


• Waveforms



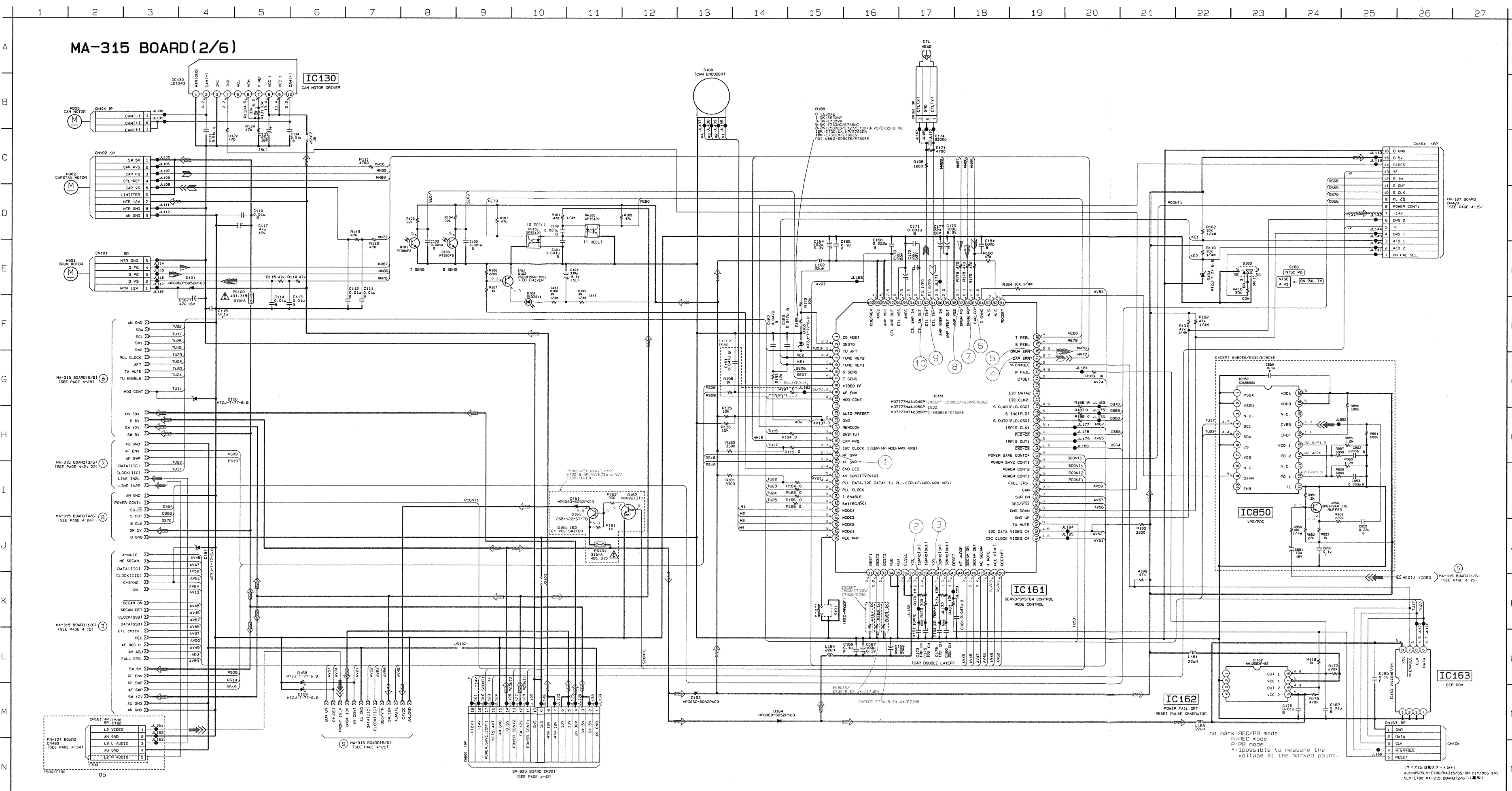
• Signal path

	VIDEO SIGNAL Y/CHROMA	AUDIO SIGNAL
REC	→	→
PB	→	→

• Signal path

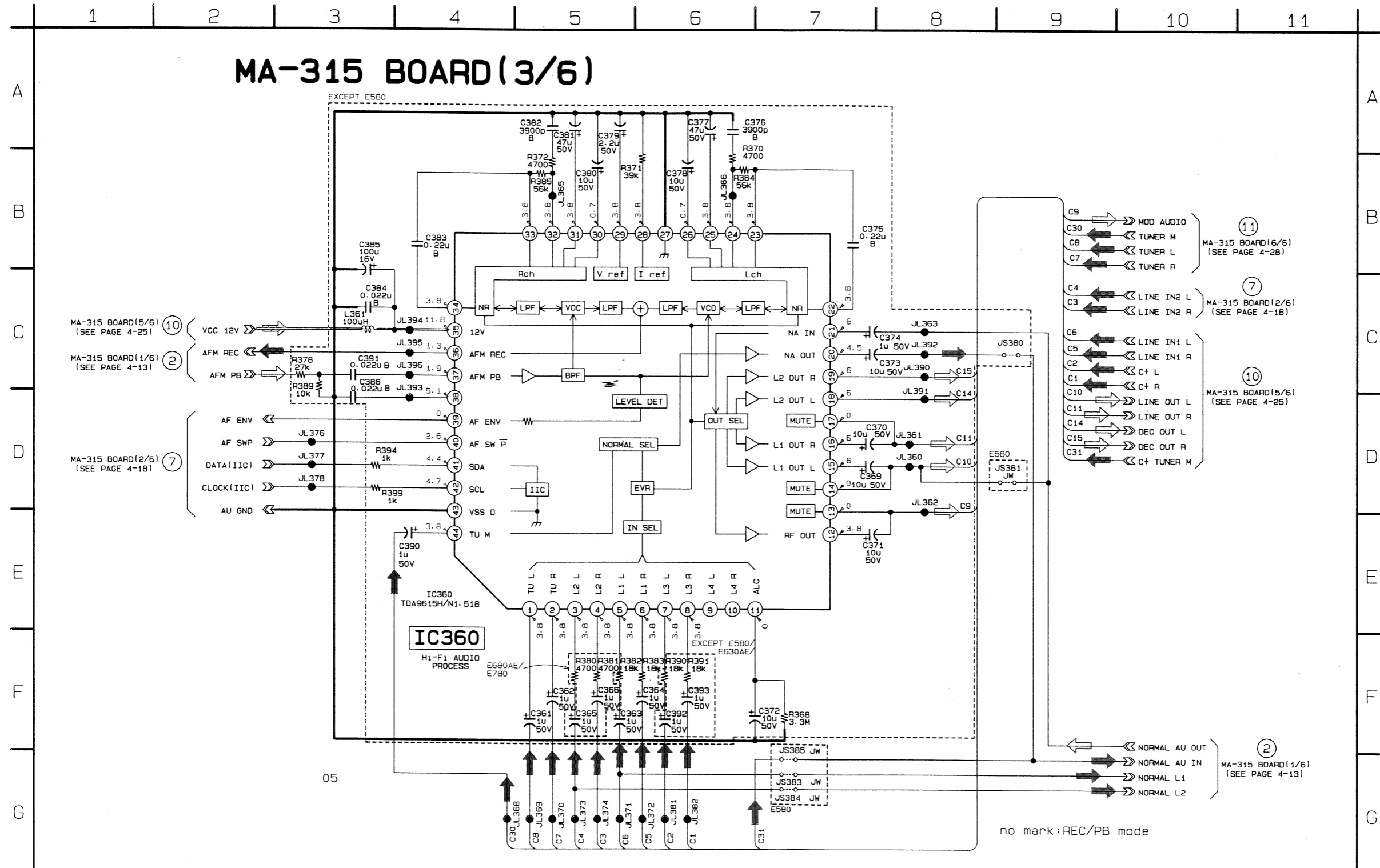
	REC	REC/PB	PB
Drum speed servo		▶	
Drum phase servo		▶	
Drum servo (speed and phase)		▶▶	
Capstan speed servo		▶	
Capstan servo (speed and phase)		▶▶	
Ref. signal	▶		▶

Note: The components identified by mark Δ or dotted line with mark Δ are critical for safety. Replace only with part number specified.



MA-315 (Hi-Fi AUDIO) SCHEMATIC DIAGRAM • See page 4-10 to 4-12 for printed wiring board.

– Ref. No.: MA-315 board; 2,000 series –

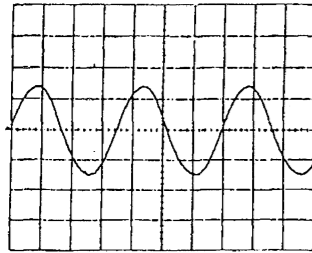


• Signal path

	AUDIO SIGNAL
REC	→
PB	⇨

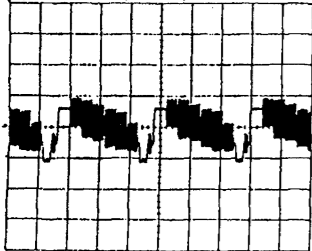
• Waveforms

① IC660 ⑤ REC/PB



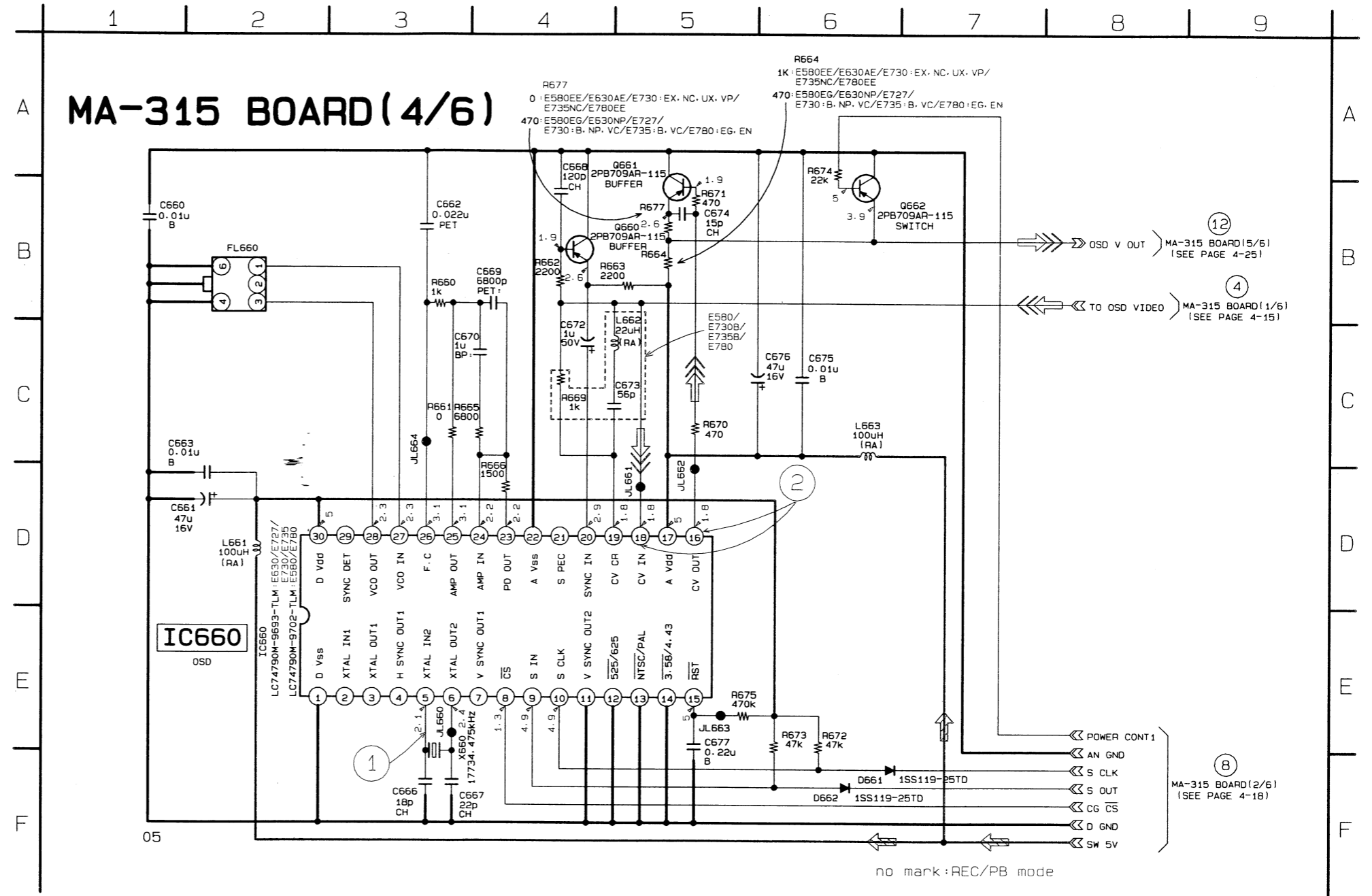
2.6 Vp-p (17.73 MHz)

② IC660 ⑯, ⑰ REC/PB



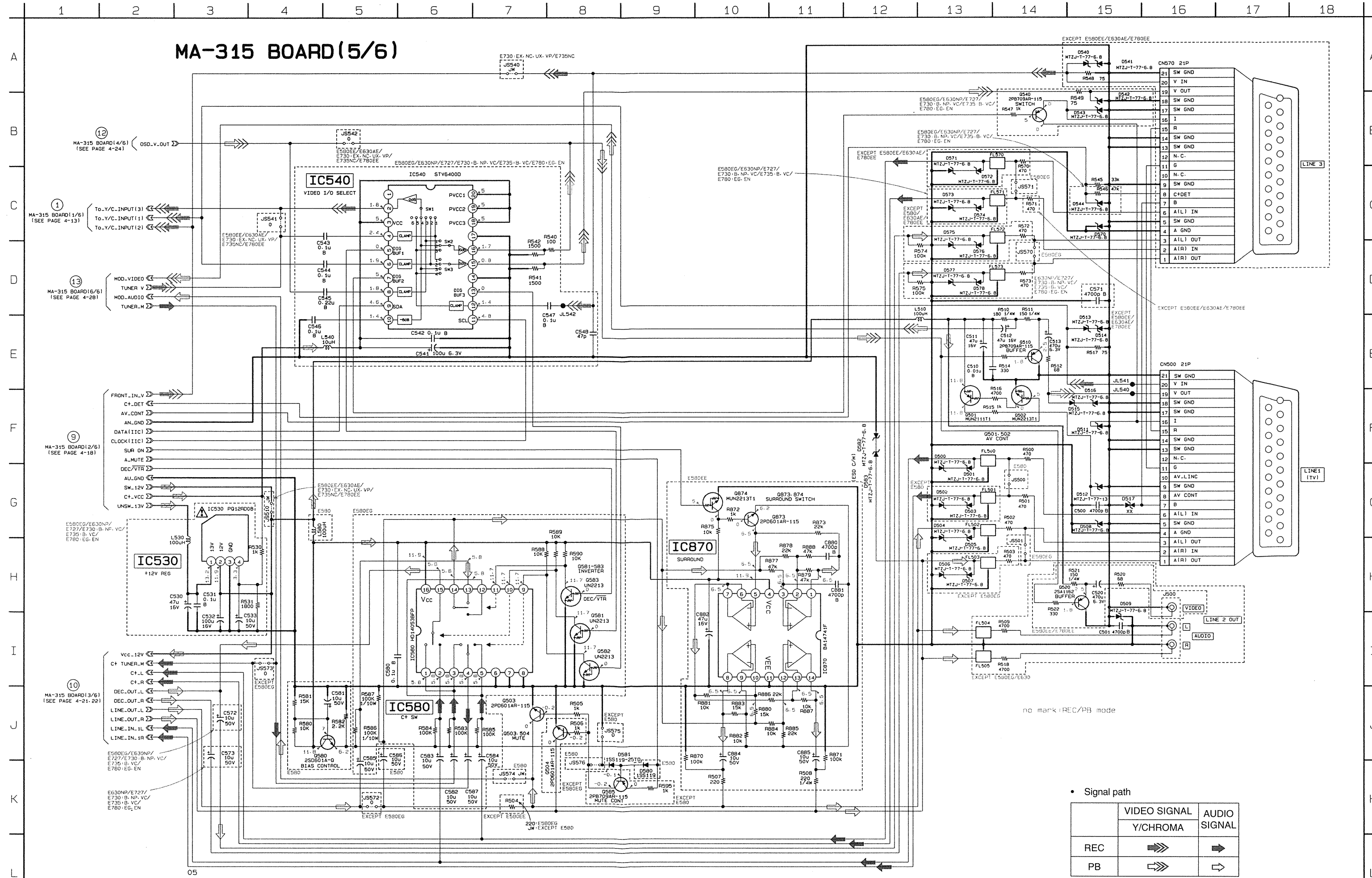
2.1 Vp-p (H)

MA-315 (OSD) SCHEMATIC DIAGRAM • See page 4-10 to 4-12 for printed wiring board.
- Ref. No.: MA-315 board; 2,000 series -



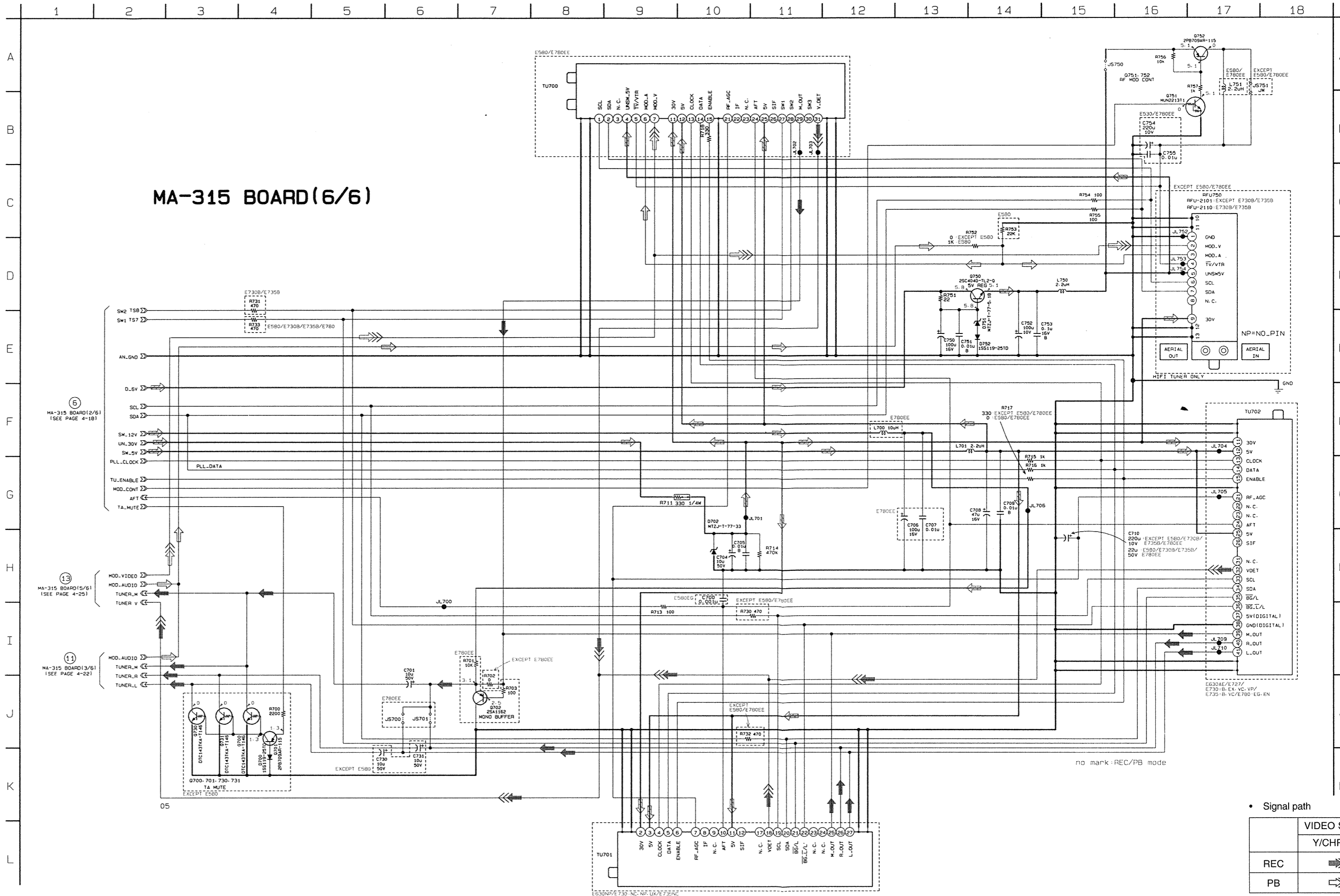
• Signal path

	VIDEO SIGNAL
	Y/CHROMA
REC	➡➡➡
PB	➡➡➡



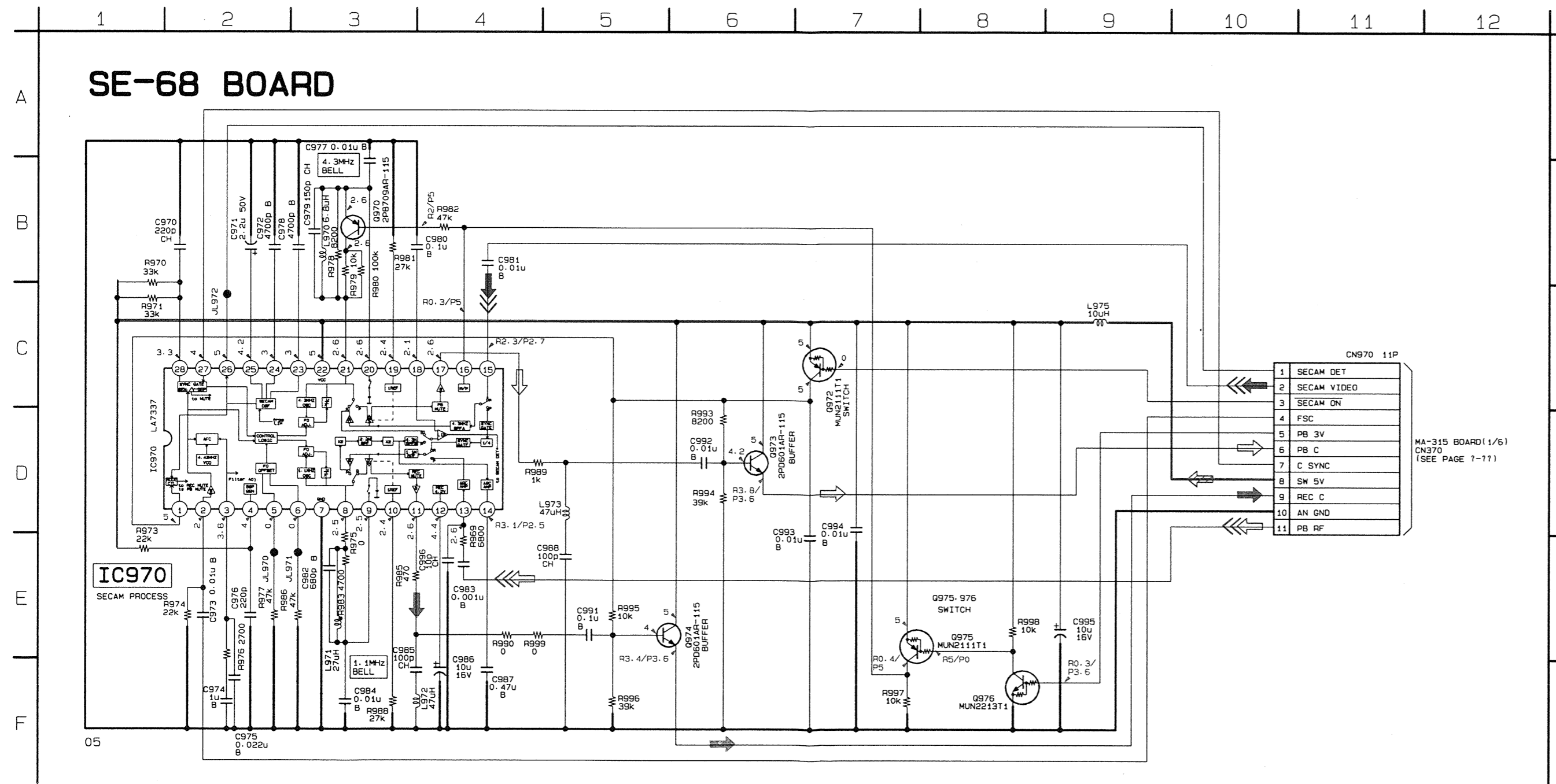
• Signal path

	VIDEO SIGNAL Y/CHROMA	AUDIO SIGNAL
REC	➡	➡
PB	➡	➡



SE-68 (SECAM) PRINTED WIRING BOARD AND SCHEMATIC DIAGRAM

- Ref. No.: SE-68 board; 1,000 series -



SE-68 BOARD

IC970
SECAM PROCESSOR

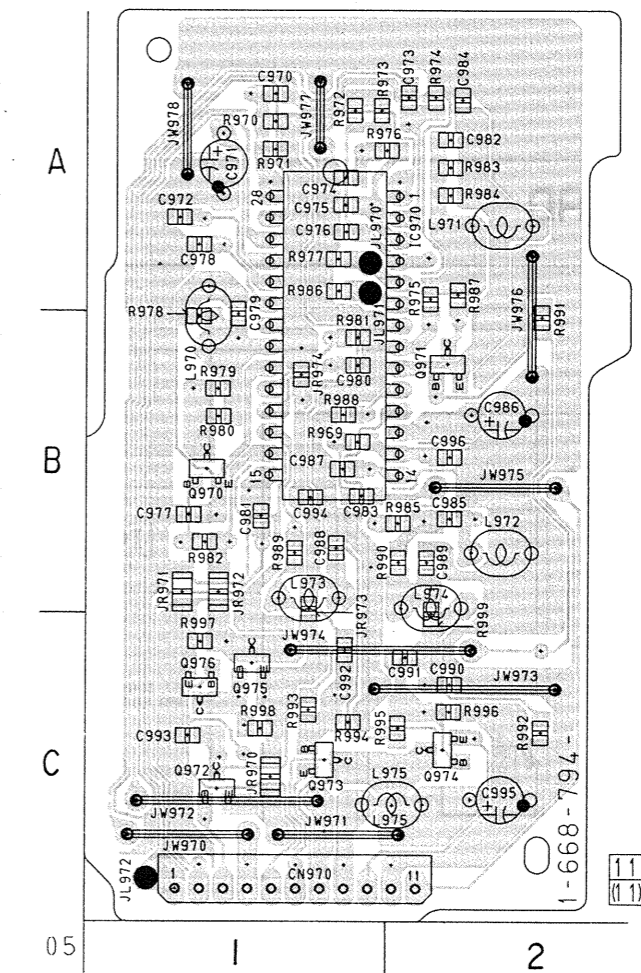
- CN970 11P
- 1 SECAM DET
 - 2 SECAM VIDEO
 - 3 SECAM ON
 - 4 FSC
 - 5 PB 3V
 - 6 PB C
 - 7 C SYNC
 - 8 SW 5V
 - 9 REC C
 - 10 AN GND
 - 11 PB RF

MA-315 BOARD(1/6)
CN370
(SEE PAGE 7-11)

• Signal path

	VIDEO SIGNAL		
	CHROMA	Y	Y/CHROMA
REC	→	⇒	⇒⇒
PB	⇨	⇨	⇨⇨

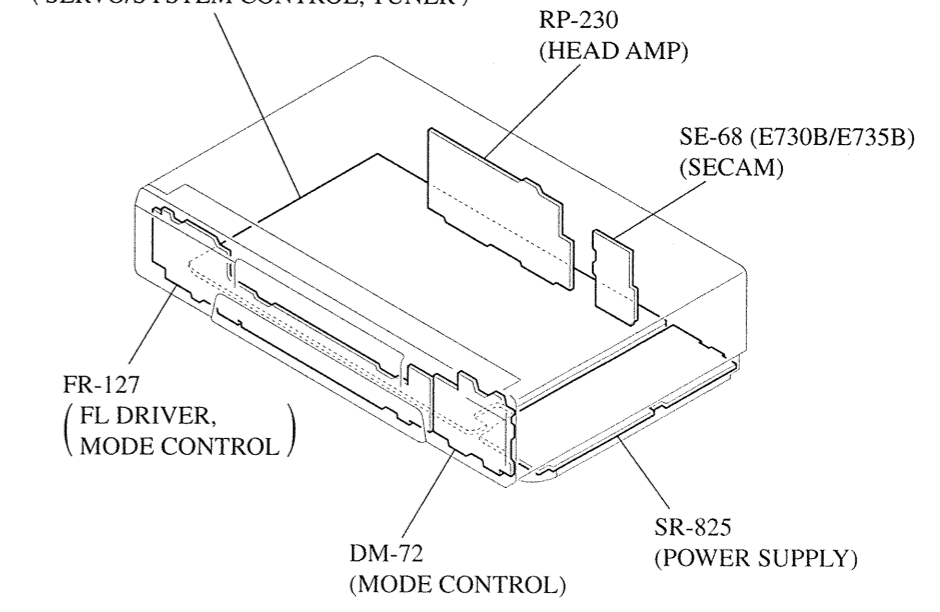
SE-68 BOARD



- SE-68 BOARD
- CN970 C-1
 - IC970 B-1
 - Q970 B-1
 - Q972 C-1
 - Q973 C-1
 - Q974 C-1
 - Q975 C-1
 - Q976 C-1

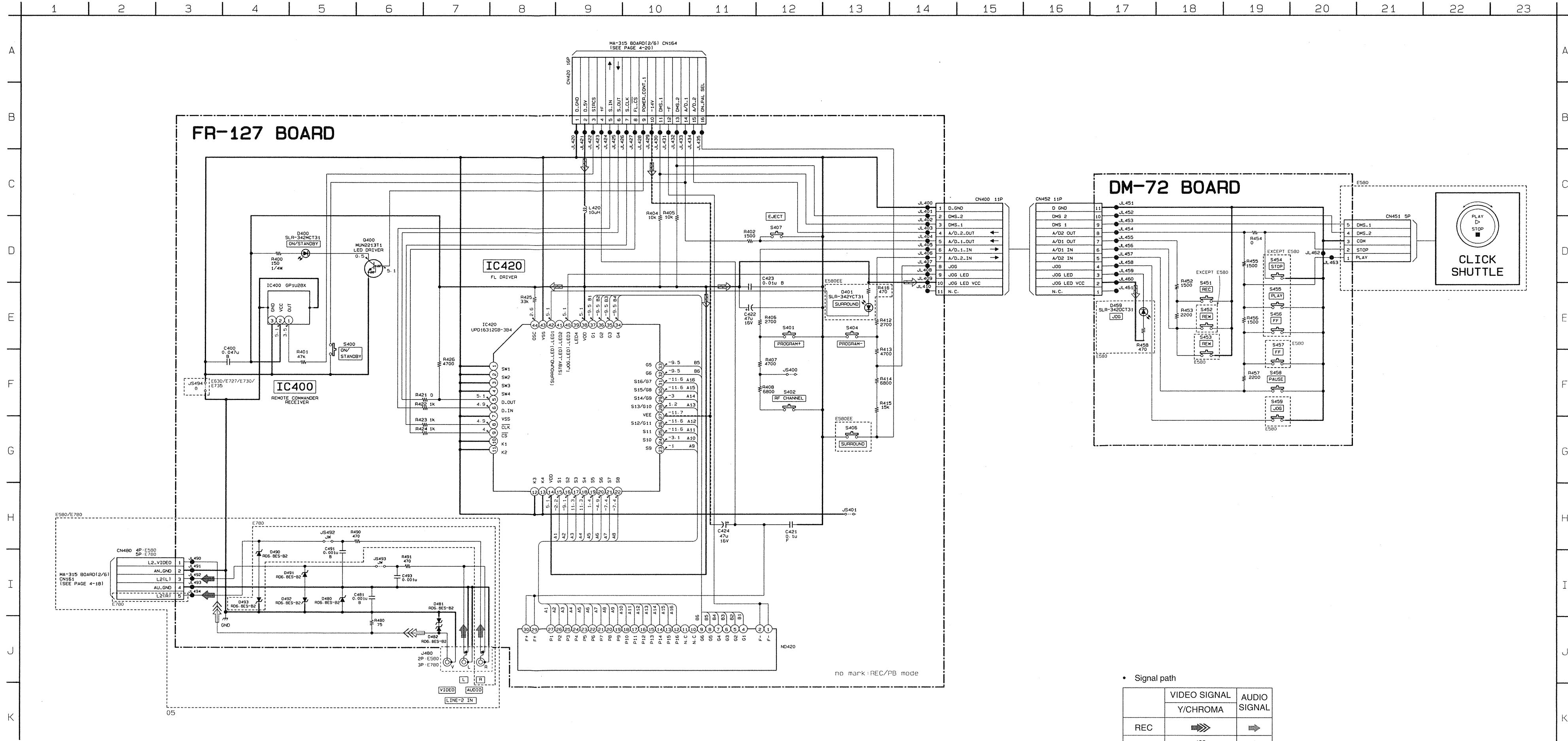
MA-315

(VIDEO, AUDIO, IO,
SERVO/SYSTEM CONTROL, TUNER)



DM-72 (MODE CONTROL), FR-127 (FL DRIVER, MODE CONTROL) SCHEMATIC DIAGRAM

- Ref. No.: DM-72, FR-127 boards; 1,000 series -

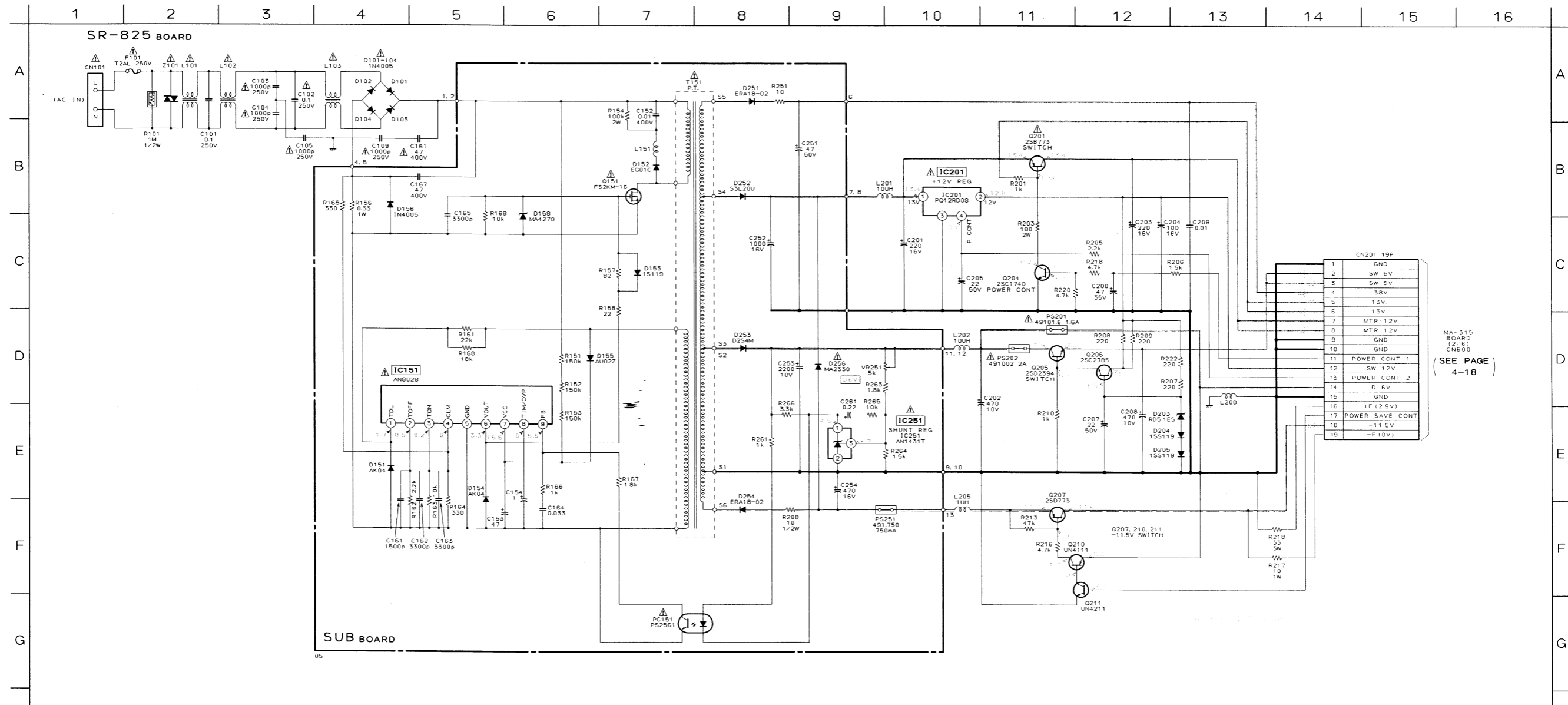


• Signal path

	VIDEO SIGNAL	AUDIO SIGNAL
	Y/CHROMA	
REC	➡➡➡	➡
PB	➡➡➡	➡

SR-825 (POWER SUPPLY) SCHEMATIC DIAGRAM

– Ref. No.: SR-825 board; 3,000 series –



Note: The components identified by mark Δ or dotted line with mark Δ are critical for safety. Replace only with part number specified.

8-2. ELECTRICAL PARTS LIST

NOTE:

- Due to standardization, replacements in the parts list may be different from the parts specified in the diagrams or the components used on the set.
- -XX and -X mean standardized parts, so they may have some difference from the original one.
- RESISTORS
All resistors are in ohms.
METAL: Metal-film resistor.
METAL OXIDE: Metal oxide-film resistor.
F: nonflammable

- Items marked "*" are not stocked since they are seldom required for routine service. Some delay should be anticipated when ordering these items.
- SEMICONDUCTORS
In each case, u: μ , for example:
uA. . : μ A. . uPA. . : μ PA. .
uPB. . : μ PB. . uPC. . : μ PC. .
uPD. . : μ PD. .
- CAPACITORS
uF: μ F
- COILS
uH: μ H

The components identified by mark Δ or dotted line with mark Δ are critical for safety. Replace only with part number specified.

When indicating parts by reference number, please include the board.

Ref. No.	Part No.	Description	Remark	Ref. No.	Part No.	Description	Remark
*	A-6794-516-A	DM-72 BOARD, COMPLETE (EXCEPT E580)				< CAPACITOR >	
*	A-6794-521-A	DM-72 BOARD, COMPLETE (E580)					
		*****	(Ref.No. 1,000 Series)	C400	1-163-809-11	CERAMIC CHIP 0.047uF 10%	25V
		< CONNECTOR >		C421	1-163-038-91	CERAMIC CHIP 0.1uF	25V
				C422	1-124-589-11	ELECT 47uF 20%	16V
				C423	1-164-232-11	CERAMIC CHIP 0.01uF	50V
				C424	1-124-589-11	ELECT 47uF 20%	16V
CN451	1-784-484-11	CONNECTOR, FFC/FPC 5P (E580)		C481	1-163-009-11	CERAMIC CHIP 0.001uF 10%	50V
CN452	1-784-453-11	CONNECTOR, FFC/FPC 11P					(E580/E780)
		< DIODE >		C491	1-163-009-11	CERAMIC CHIP 0.001uF 10%	50V
							(E780)
D459	8-719-056-06	DIODE SLR-342DCT31 (JOG) (E580)		C493	1-163-009-11	CERAMIC CHIP 0.001uF 10%	50V
		< RESISTOR >					(E580/E780)
						< CONNECTOR >	
R452	1-216-053-00	METAL CHIP 1.5K 5%	1/10W	CN400	1-784-453-11	CONNECTOR, FFC/FPC 11P	
R453	1-216-057-00	METAL CHIP 2.2K 5%	1/10W	CN420	1-784-458-11	CONNECTOR, FFC/FPC 16P	
R454	1-216-295-91	SHORT 0		* CN480	1-568-954-11	PIN, CONNECTOR 5P (E780)	
R455	1-216-053-00	METAL CHIP 1.5K 5%	1/10W	CN480	1-506-469-11	PIN, CONNECTOR 4P (E580)	
R456	1-216-053-00	METAL CHIP 1.5K 5%	1/10W			< DIODE >	
R457	1-216-057-00	METAL CHIP 2.2K 5%	1/10W				
R458	1-216-041-00	METAL CHIP 470 5%	1/10W	D400	8-719-056-07	DIODE SLR-342MCT31 (ON/STANDBY)	
			(E580)	D401	8-719-045-63	DIODE SLR-342YCT31 (VIRTUAL STEREO)	(E580EE)
		< SWITCH >		D480	8-719-109-97	DIODE RD6.8ES-B2 (E580/E780)	
S451	1-762-196-21	SWITCH, TACT (REC)		D481	8-719-109-97	DIODE RD6.8ES-B2 (E580/E780)	
S452	1-762-196-21	SWITCH, TACT (REW) (EXCEPT E580)		D482	8-719-109-97	DIODE RD6.8ES-B2 (E580/E780)	
S453	1-762-196-21	SWITCH, TACT (REW) (E580)		D490	8-719-109-97	DIODE RD6.8ES-B2 (E780)	
S454	1-762-196-21	SWITCH, TACT (STOP) (EXCEPT E580)		D491	8-719-109-97	DIODE RD6.8ES-B2 (E580/E780)	
S455	1-762-196-21	SWITCH, TACT (PLAY) (EXCEPT E580)		D492	8-719-109-97	DIODE RD6.8ES-B2 (E580/E780)	
S456	1-762-196-21	SWITCH, TACT (FF) (EXCEPT E580)		D493	8-719-109-97	DIODE RD6.8ES-B2 (E780)	
S457	1-762-196-21	SWITCH, TACT (FF) (E580)				< IC >	
S458	1-762-196-21	SWITCH, TACT (PAUSE)		IC400	8-749-011-05	IC GP1U28X	
S459	1-762-196-21	SWITCH, TACT (JOG) (E580)		IC420	8-759-366-44	IC uPD16312GB-3B4	
*	A-6791-502-A	FR-127 BOARD, COMPLETE	(E630/E727/E730/E735)			< JACK >	
*	A-6791-554-A	FR-127 BOARD, COMPLETE (E780)		J480	1-766-861-21	JACK, PIN (3P) (LINE 2 IN) (E780)	
*	A-6791-556-A	FR-127 BOARD, COMPLETE (E580EG)		J480	1-766-862-21	JACK, PIN (2P) (LINE 2 IN) (E580)	
*	A-6791-559-A	FR-127 BOARD, COMPLETE (E580EE)				< JUMPER RESISTOR >	
		*****	(Ref.No. 1,000 Series)	JS402	1-216-296-91	SHORT 0 (E630/E727/E730/E735)	
*	3-972-888-01	HOLDER (85), FL					

Ref. No.	Part No.	Description	Remark
		< COIL >	
L420	1-414-934-21	INDUCTOR 10uH	
		< FLUORECENT INDICATOR >	
ND420	1-517-724-21	TUBE, FLUORESCENT INDICATOR	
		< TRANSISTOR >	
Q400	8-729-421-19	TRANSISTOR UN2213	
		< RESISTOR >	
R400	1-249-407-11	CARBON 150 5% 1/4W F	
R401	1-216-089-91	RES, CHIP 47K 5% 1/10W	
R402	1-216-053-00	METAL CHIP 1.5K 5% 1/10W	
R404	1-216-073-00	METAL CHIP 10K 5% 1/10W	
R405	1-216-073-00	METAL CHIP 10K 5% 1/10W	
R406	1-216-059-00	METAL CHIP 2.7K 5% 1/10W	
R407	1-216-065-91	RES, CHIP 4.7K 5% 1/10W	
R408	1-216-069-00	METAL CHIP 6.8K 5% 1/10W	
R412	1-216-059-00	METAL CHIP 2.7K 5% 1/10W	
R413	1-216-065-91	RES, CHIP 4.7K 5% 1/10W	
R414	1-216-069-00	METAL CHIP 6.8K 5% 1/10W	
R415	1-216-077-00	METAL CHIP 15K 5% 1/10W	
R416	1-216-041-00	METAL CHIP 470 5% 1/10W	(E580EE)
R421	1-216-295-91	SHORT 0	
R422	1-216-049-91	RES, CHIP 1K 5% 1/10W	
R423	1-216-049-91	RES, CHIP 1K 5% 1/10W	
R424	1-216-049-91	RES, CHIP 1K 5% 1/10W	
R425	1-216-085-00	METAL CHIP 33K 5% 1/10W	
R426	1-216-065-91	RES, CHIP 4.7K 5% 1/10W	
R480	1-216-022-00	METAL CHIP 75 5% 1/10W	(E580/E780)
R490	1-216-041-00	METAL CHIP 470 5% 1/10W	(E780)
R491	1-216-041-00	METAL CHIP 470 5% 1/10W	(E580/E780)
		< SWITCH >	
S400	1-762-196-21	SWITCH, TACT (ON/STANDBY)	
S401	1-762-196-21	SWITCH, TACT (CHANNEL +)	
S402	1-762-196-21	SWITCH, TACT (RF CHANNEL)	
S404	1-762-196-21	SWITCH, TACT (CHANNEL -)	
S406	1-762-196-21	SWITCH, TACT (VIRTUAL STEREO) (E580EE)	
S407	1-762-196-21	SWITCH, TACT (EJECT)	

*	A-6791-497-A	MA-315 BOARD, COMPLETE (E730UX)	
*	A-6791-498-A	MA-315 BOARD, COMPLETE (E730VP)	
*	A-6791-499-A	MA-315 BOARD, COMPLETE	(E727/E730VC/E735VC)
*	A-6791-503-A	MA-315 BOARD, COMPLETE (E730B/E735B)	
*	A-6791-505-A	MA-315 BOARD, COMPLETE (E730NP)	
*	A-6791-506-A	MA-315 BOARD, COMPLETE	(E730NC/E735NC)
*	A-6791-507-A	MA-315 BOARD, COMPLETE (E630NP)	
*	A-6791-549-A	MA-315 BOARD, COMPLETE (E730EX)	
*	A-6791-550-A	MA-315 BOARD, COMPLETE (E630AE)	
*	A-6791-551-A	MA-315 BOARD, COMPLETE (E780EG)	
*	A-6791-552-A	MA-315 BOARD, COMPLETE (E780EN)	
*	A-6791-553-A	MA-315 BOARD, COMPLETE (E780EE)	

Ref. No.	Part No.	Description	Remark
*	A-6791-555-A	MA-315 BOARD, COMPLETE (E580EG)	
*	A-6791-557-A	MA-315 BOARD, COMPLETE (E580EE)	***** (Ref.No. 2,000 Series)
	1-556-934-81	CABLE, PIN (EXCEPT E580/E780EE)	
*	3-960-273-01	SPACER, TOP END	
*	3-960-274-01	SPACER, LED	
		< CAPACITOR >	
C100	1-163-009-11	CERAMIC CHIP 0.001uF 10% 50V	
C101	1-163-009-11	CERAMIC CHIP 0.001uF 10% 50V	
C102	1-163-009-11	CERAMIC CHIP 0.001uF 10% 50V	
C103	1-163-009-11	CERAMIC CHIP 0.001uF 10% 50V	
C104	1-128-057-11	ELECT 330uF 20% 6.3V	
C107	1-124-589-11	ELECT 47uF 20% 16V	
C110	1-164-232-11	CERAMIC CHIP 0.01uF 50V	
C111	1-164-232-11	CERAMIC CHIP 0.01uF 50V	
C112	1-164-232-11	CERAMIC CHIP 0.01uF 50V	
C113	1-164-232-11	CERAMIC CHIP 0.01uF 50V	
C114	1-164-232-11	CERAMIC CHIP 0.01uF 50V	
C115	1-163-038-91	CERAMIC CHIP 0.1uF 25V	
C117	1-124-589-11	ELECT 47uF 20% 16V	
C131	1-124-589-11	ELECT 47uF 20% 16V	
C133	1-164-232-11	CERAMIC CHIP 0.01uF 50V	
C134	1-164-232-11	CERAMIC CHIP 0.01uF 50V	
C161	1-163-809-11	CERAMIC CHIP 0.047uF 10% 25V	(EXCEPT E580)
C162	1-163-809-11	CERAMIC CHIP 0.047uF 10% 25V	
C163	1-163-809-11	CERAMIC CHIP 0.047uF 10% 25V	
C164	1-124-584-00	ELECT 100uF 20% 10V	
C165	1-163-038-91	CERAMIC CHIP 0.1uF 25V	
C166	1-163-038-91	CERAMIC CHIP 0.1uF 25V	
C167	1-124-584-00	ELECT 100uF 20% 10V	
C168	1-163-037-11	CERAMIC CHIP 0.022uF 10% 25V	
C169	1-104-905-11	CAPACITOR 0.22F 5.5V	
C170	1-128-131-11	ELECT 22uF 20% 50V	
C171	1-163-009-11	CERAMIC CHIP 0.001uF 10% 50V	
C172	1-128-131-11	ELECT 22uF 20% 50V	
C173	1-163-227-11	CERAMIC CHIP 10PF 0.5PF 50V	
C174	1-164-161-11	CERAMIC CHIP 0.0022uF 10% 100V	
C175	1-163-227-11	CERAMIC CHIP 10PF 0.5PF 50V	
C176	1-164-232-11	CERAMIC CHIP 0.01uF 50V	
C177	1-128-131-11	ELECT 22uF 20% 50V	
C178	1-163-099-00	CERAMIC CHIP 18PF 5% 50V	
C179	1-124-584-00	ELECT 100uF 20% 10V	
C180	1-163-235-11	CERAMIC CHIP 22PF 5% 50V	
C181	1-163-809-11	CERAMIC CHIP 0.047uF 10% 25V	
C182	1-164-232-11	CERAMIC CHIP 0.01uF 50V	
C184	1-163-007-11	CERAMIC CHIP 680PF 10% 50V	
C185	1-163-038-91	CERAMIC CHIP 0.1uF 25V	
C201	1-109-982-11	CERAMIC CHIP 1uF 10% 10V	
C202	1-163-809-11	CERAMIC CHIP 0.047uF 10% 25V	
C204	1-164-232-11	CERAMIC CHIP 0.01uF 50V	
C205	1-163-037-11	CERAMIC CHIP 0.022uF 10% 25V	
C206	1-164-232-11	CERAMIC CHIP 0.01uF 50V	
C207	1-164-232-11	CERAMIC CHIP 0.01uF 50V	
C208	1-163-241-11	CERAMIC CHIP 39PF 5% 50V	
C209	1-128-131-11	ELECT 22uF 20% 50V	
C210	1-163-131-00	CERAMIC CHIP 390PF 5% 50V	

Ref. No.	Part No.	Description	Remark	Ref. No.	Part No.	Description	Remark
C211	1-163-237-11	CERAMIC CHIP	27PF 5% 50V	C317	1-126-163-11	ELECT	4.7uF 20% 50V
C212	1-163-259-91	CERAMIC CHIP	220PF 5% 50V	C318	1-124-589-11	ELECT	47uF 20% 16V
C213	1-163-257-11	CERAMIC CHIP	180PF 5% 50V				
C214	1-163-235-11	CERAMIC CHIP	22PF 5% 50V	C361	1-126-960-11	ELECT	1uF 20% 50V (EXCEPT E580)
C217	1-109-982-11	CERAMIC CHIP	1uF 10% 10V	C362	1-126-960-11	ELECT	1uF 20% 50V (EXCEPT E580)
C218	1-163-243-11	CERAMIC CHIP	47PF 5% 50V	C363	1-126-960-11	ELECT	1uF 20% 50V (EXCEPT E580)
C219	1-163-038-91	CERAMIC CHIP	0.1uF 25V				
C220	1-109-982-11	CERAMIC CHIP	1uF 10% 10V	C364	1-126-960-11	ELECT	1uF 20% 50V (EXCEPT E580)
C221	1-163-243-11	CERAMIC CHIP	47PF 5% 50V (E630AE/E730: EX, NC, UX, VP/E735NC)	C365	1-126-960-11	ELECT	1uF 20% 50V (E630AE/E780)
C222	1-163-038-91	CERAMIC CHIP	0.1uF 25V (E580/E730: EX, NC, UX, VP/E735NC/E780)	C366	1-126-960-11	ELECT	1uF 20% 50V (E630AE/E780)
C223	1-124-589-11	ELECT	47uF 20% 16V				
C224	1-164-159-11	CERAMIC	0.1uF 50V	C369	1-126-964-11	ELECT	10uF 20% 50V (EXCEPT E580)
C226	1-163-038-91	CERAMIC CHIP	0.1uF 25V	C370	1-126-964-11	ELECT	10uF 20% 50V (EXCEPT E580)
C228	1-126-157-11	ELECT	10uF 20% 16V	C371	1-126-964-11	ELECT	10uF 20% 50V (EXCEPT E580)
C229	1-164-159-11	CERAMIC	0.1uF 50V				
C230	1-124-589-11	ELECT	47uF 20% 16V	C372	1-126-964-11	ELECT	10uF 20% 50V (EXCEPT E580)
C231	1-126-157-11	ELECT	10uF 20% 16V	C373	1-126-964-11	ELECT	10uF 20% 50V (EXCEPT E580)
C232	1-109-982-11	CERAMIC CHIP	1uF 10% 10V	C374	1-126-160-11	ELECT	1uF 20% 50V (EXCEPT E580)
C233	1-109-982-11	CERAMIC CHIP	1uF 10% 10V				
C234	1-164-232-11	CERAMIC CHIP	0.01uF 50V	C375	1-164-489-11	CERAMIC CHIP	0.22uF 10% 16V (EXCEPT E580)
C235	1-164-232-11	CERAMIC CHIP	0.01uF 50V	C376	1-163-016-00	CERAMIC CHIP	0.0039uF 10% 50V (EXCEPT E580)
C236	1-126-160-11	ELECT	1uF 20% 50V	C377	1-126-967-11	ELECT	47uF 20% 50V (EXCEPT E580)
C237	1-164-232-11	CERAMIC CHIP	0.01uF 50V				
C238	1-164-159-11	CERAMIC	0.1uF 50V	C378	1-126-964-11	ELECT	10uF 20% 50V (EXCEPT E580)
C239	1-124-584-00	ELECT	100uF 20% 10V	C379	1-124-257-00	ELECT	2.2uF 20% 50V (EXCEPT E580)
C240	1-109-982-11	CERAMIC CHIP	1uF 10% 10V	C380	1-126-964-11	ELECT	10uF 20% 50V (EXCEPT E580)
C241	1-163-037-11	CERAMIC CHIP	0.022uF 10% 25V				
C242	1-109-982-11	CERAMIC CHIP	1uF 10% 10V	C381	1-126-967-11	ELECT	47uF 20% 50V (EXCEPT E580)
C243	1-164-232-11	CERAMIC CHIP	0.01uF 50V	C382	1-163-016-00	CERAMIC CHIP	0.0039uF 10% 50V (EXCEPT E580)
C244	1-107-725-11	CERAMIC CHIP	0.1uF 10% 16V	C383	1-164-489-11	CERAMIC CHIP	0.22uF 10% 16V (EXCEPT E580)
C245	1-163-809-11	CERAMIC CHIP	0.047uF 10% 25V				
C246	1-109-982-11	CERAMIC CHIP	1uF 10% 10V	C384	1-163-037-11	CERAMIC CHIP	0.022uF 10% 25V (EXCEPT E580)
C247	1-163-809-11	CERAMIC CHIP	0.047uF 10% 25V	C385	1-126-933-11	ELECT	100uF 20% 16V (EXCEPT E580)
C248	1-164-232-11	CERAMIC CHIP	0.01uF 50V	C386	1-163-037-11	CERAMIC CHIP	0.022uF 10% 25V (EXCEPT E580)
C249	1-124-589-11	ELECT	47uF 20% 16V				
C250	1-163-038-91	CERAMIC CHIP	0.1uF 25V	C390	1-126-960-11	ELECT	1uF 20% 50V (EXCEPT E580)
C251	1-163-038-91	CERAMIC CHIP	0.1uF 25V	C391	1-163-037-11	CERAMIC CHIP	0.022uF 10% 25V (EXCEPT E580)
C252	1-164-232-11	CERAMIC CHIP	0.01uF 50V	C392	1-126-960-11	ELECT	1uF 20% 50V (EXCEPT E580/E630AE)
C253	1-163-038-91	CERAMIC CHIP	0.1uF 25V				
C254	1-163-038-91	CERAMIC CHIP	0.1uF 25V	C393	1-126-960-11	ELECT	1uF 20% 50V (EXCEPT E580/E630AE)
C255	1-163-038-91	CERAMIC CHIP	0.1uF 25V				
C257	1-163-038-91	CERAMIC CHIP	0.1uF 25V	C500	1-163-017-00	CERAMIC CHIP	0.0047uF 5% 50V
C301	1-164-159-11	CERAMIC	0.1uF 50V	C501	1-163-017-00	CERAMIC CHIP	0.0047uF 5% 50V (EXCEPT E580EG/E630)
C302	1-124-589-11	ELECT	47uF 20% 16V				
C303	1-109-982-11	CERAMIC CHIP	1uF 10% 10V (E580)				
C304	1-109-982-11	CERAMIC CHIP	1uF 10% 10V (E580)				
C305	1-109-982-11	CERAMIC CHIP	1uF 10% 10V				
C306	1-109-982-11	CERAMIC CHIP	1uF 10% 10V				
C307	1-126-157-11	ELECT	10uF 20% 16V				
C308	1-124-589-11	ELECT	47uF 20% 16V				
C309	1-126-163-11	ELECT	4.7uF 20% 50V				
C310	1-163-011-11	CERAMIC CHIP	0.0015uF 10% 50V				
C311	1-163-011-11	CERAMIC CHIP	0.0015uF 10% 50V				
C312	1-137-370-11	FILM	0.01uF 5% 50V				
C313	1-126-157-11	ELECT	10uF 20% 16V				
C314	1-164-232-11	CERAMIC CHIP	0.01uF 50V				
C315	1-126-160-11	ELECT	1uF 20% 50V				

MA-315

Ref. No.	Part No.	Description	Remark
C510	1-164-232-11	CERAMIC CHIP	0.01uF 50V
C511	1-126-967-11	ELECT	47uF 20% 16V
C512	1-126-967-11	ELECT	47uF 20% 16V
C513	1-126-935-11	ELECT	470uF 20% 6.3V
C520	1-126-935-11	ELECT	470uF 20% 6.3V (E580EE/E780EE)
C530	1-126-967-11	ELECT	47uF 20% 16V (E580EG/E630NP/E727/E730: B, NP, VC/ E735: B, VC/E780: EG, EN)
C531	1-107-725-11	CERAMIC CHIP	0.1uF 10% 16V (E580EG/E630NP/E727/E730: B, NP, VC/ E735: B, VC/E780: EG, EN)
C532	1-126-933-11	ELECT	100uF 20% 16V (E580EG/E630NP/E727/E730: B, NP, VC/ E735: B, VC/E780: EG, EN)
C533	1-126-964-11	ELECT	10uF 20% 50V (E580EG/E630NP/E727/E730: B, NP, VC/ E735: B, VC/E780: EG, EN)
C541	1-124-584-00	ELECT	100uF 20% 10V (E580EG/E630NP/E727/E730: B, NP, VC/ E735: B, VC/E780: EG, EN)
C542	1-107-725-11	CERAMIC CHIP	0.1uF 10% 16V (E580EG/E630NP/E727/E730: B, NP, VC/ E735: B, VC/E780: EG, EN)
C543	1-107-725-11	CERAMIC CHIP	0.1uF 10% 16V (E580EG/E630NP/E727/E730: B, NP, VC/ E735: B, VC/E780: EG, EN)
C544	1-107-725-11	CERAMIC CHIP	0.1uF 10% 16V (E580EG/E630NP/E727/E730: B, NP, VC/ E735: B, VC/E780: EG, EN)
C545	1-164-489-11	CERAMIC CHIP	0.22uF 10% 16V (E580EG/E630NP/E727/E730: B, NP, VC/ E735: B, VC/E780: EG, EN)
C546	1-107-725-11	CERAMIC CHIP	0.1uF 10% 16V (E580EG/E630NP/E727/E730: B, NP, VC/ E735: B, VC/E780: EG, EN)
C547	1-107-725-11	CERAMIC CHIP	0.1uF 10% 16V (E580EG/E630NP/E727/E730: B, NP, VC/ E735: B, VC/E780: EG, EN)
C548	1-163-243-11	CERAMIC CHIP	47PF 5% 50V (E580EG/E630NP/E727/E730: B, NP, VC/ E735: B, VC/E780: EG, EN)
C571	1-163-017-00	CERAMIC CHIP	0.0047uF 5% 50V (EXCEPT E580EE/E630AE/E780EE)
C572	1-126-964-11	ELECT	10uF 20% 50V (E580EG/E630NP/E727/E730: B, NP, VC/ E735: B, VC/E780: EG, EN)
C573	1-124-261-00	ELECT	10uF 20% 50V (E630NP/E727/E730: B, NP, VC/ E735: B, VC/E780: EG, EN)
C580	1-107-725-11	CERAMIC CHIP	0.1uF 10% 16V (E580EG)
C581	1-126-964-11	ELECT	10uF 20% 50V (E580)
C582	1-124-261-00	ELECT	10uF 20% 50V (E580EG)
C583	1-126-964-11	ELECT	10uF 20% 50V (E580EG)
C584	1-126-964-11	ELECT	10uF 20% 50V (E580EG)
C585	1-126-964-11	ELECT	10uF 20% 50V (E580EG)

Ref. No.	Part No.	Description	Remark
C586	1-126-964-11	ELECT	10uF 20% 50V (E580)
C587	1-126-964-11	ELECT	10uF 20% 50V (E580EG)
C660	1-164-232-11	CERAMIC CHIP	0.01uF 50V
C661	1-124-589-11	ELECT	47uF 20% 16V
C662	1-130-487-00	MYLAR	0.022uF 5% 50V
C663	1-164-232-11	CERAMIC CHIP	0.01uF 50V
C666	1-163-099-00	CERAMIC CHIP	18PF 5% 50V
C667	1-163-235-11	CERAMIC CHIP	22PF 5% 50V
C668	1-163-253-11	CERAMIC CHIP	120PF 5% 50V
C669	1-130-481-00	MYLAR	0.0068uF 5% 50V
C670	1-124-499-11	ELECT, NONPOLAR	1uF 20% 50V
C672	1-126-960-11	ELECT	1uF 20% 50V
C673	1-163-245-11	CERAMIC CHIP	56PF 5% 50V (E580/E730B/E735B/E580)
C674	1-163-231-11	CERAMIC CHIP	15PF 5% 50V
C675	1-164-232-11	CERAMIC CHIP	0.01uF 50V
C676	1-124-589-11	ELECT	47uF 20% 16V
C677	1-164-489-11	CERAMIC CHIP	0.22uF 10% 16V
C700	1-163-009-11	CERAMIC CHIP	0.001uF 10% 50V (E580EG)
C701	1-126-964-11	ELECT	10uF 20% 50V
C704	1-124-261-00	ELECT	10uF 20% 50V
C705	1-164-232-11	CERAMIC CHIP	0.01uF 50V
C706	1-126-933-11	ELECT	100uF 20% 16V (E780EE)
C707	1-164-232-11	CERAMIC CHIP	0.01uF 50V (E780EE)
C708	1-124-589-11	ELECT	47uF 20% 16V
C709	1-164-232-11	CERAMIC CHIP	0.01uF 50V
C710	1-126-176-11	ELECT	220uF 20% 10V (EXCEPT E580/E730B/E735B/E780EE)
C710	1-128-131-11	ELECT	22uF 20% 50V (E580/E730B/E735B/E780EE)
C730	1-126-964-11	ELECT	10uF 20% 50V (EXCEPT E580)
C731	1-126-964-11	ELECT	10uF 20% 50V (EXCEPT E580)
C750	1-126-933-11	ELECT	100uF 20% 16V
C751	1-164-232-11	CERAMIC CHIP	0.01uF 50V
C752	1-124-584-00	ELECT	100uF 20% 10V
C753	1-107-725-11	CERAMIC CHIP	0.1uF 10% 16V
C754	1-126-923-11	ELECT	220uF 20% 10V (E580/E780EE)
C755	1-164-232-11	CERAMIC CHIP	0.01uF 50V (E580/E780EE)
C850	1-163-038-91	CERAMIC CHIP	0.1uF 25V (EXCEPT E580EE/E630/E780EE)
C851	1-126-157-11	ELECT	10uF 20% 16V (EXCEPT E580EE/E630/E780EE)
C852	1-164-161-11	CERAMIC CHIP	0.0022uF 10% 100V (EXCEPT E580EE/E630/E780EE)
C853	1-163-989-11	CERAMIC CHIP	0.033uF 10% 25V (EXCEPT E580EE/E630/E780EE)
C855	1-164-489-11	CERAMIC CHIP	0.22uF 10% 16V (EXCEPT E580EE/E630/E780EE)
C856	1-163-038-91	CERAMIC CHIP	0.1uF 25V (EXCEPT E580EE/E630/E780EE)
C880	1-163-017-00	CERAMIC CHIP	0.0047uF 5% 50V (E580EE)

Ref. No.	Part No.	Description	Remark	Ref. No.	Part No.	Description	Remark
C881	1-163-017-00	CERAMIC CHIP	0.0047uF 5%	50V (E580EE)			E735: B, VC/E780: EG, EN)
C882	1-126-967-11	ELECT	47uF 20%	16V (E580EE)	D543	8-719-109-97	DIODE RD6.8ES-B2 (E580EG/E630NP/E727/E730: B, NP, VC/ E735: B, VC/E780: EG, EN)
C884	1-126-964-11	ELECT	10uF 20%	50V (E580EE)	D544	8-719-109-97	DIODE RD6.8ES-B2 (E580EG/E630NP/E727/E730: B, NP, VC/ E735: B, VC/E780: EG, EN)
C885	1-126-964-11	ELECT	10uF 20%	50V (E580EE)	D570	8-719-109-97	DIODE RD6.8ES-B2
< CONNECTOR >				D571	8-719-109-97	DIODE RD6.8ES-B2 (EXCEPT E580EE/E630AE/E780EE)	
CN101	1-779-724-11	CONNECTOR, BOARD TO BOARD 5P		D572	8-719-109-97	DIODE RD6.8ES-B2 (EXCEPT E580EE/E630AE/E780EE)	
CN102	1-779-723-11	CONNECTOR, BOARD TO BOARD 9P		D573	8-719-109-97	DIODE RD6.8ES-B2 (EXCEPT E580/E630AE/E780EE)	
CN104	1-766-716-11	CONNECTOR, BOARD TO BOARD 3P		D574	8-719-109-97	DIODE RD6.8ES-B2 (EXCEPT E580/E630AE/E780EE)	
* CN161	1-568-954-11	PIN, CONNECTOR 5P (E780)		D575	8-719-109-97	DIODE RD6.8ES-B2 (E580EG/E630NP/E727/E730: B, NP, VC/ E735: B, VC/E780: EG, EN)	
CN161	1-506-469-11	PIN, CONNECTOR 4P (E580)		D576	8-719-109-97	DIODE RD6.8ES-B2 (E580EG/E630NP/E727/E730: B, NP, VC/ E735: B, VC/E780: EG, EN)	
CN162	1-506-468-11	PIN, CONNECTOR 3P		D577	8-719-109-97	DIODE RD6.8ES-B2 (E630NP/E727/E730: B, NP, VC/ E735: B, VC/E780: EG, EN)	
* CN163	1-568-954-11	PIN, CONNECTOR 5P		D578	8-719-109-97	DIODE RD6.8ES-B2 (E630NP/E727/E730: B, NP, VC/ E735: B, VC/E780: EG, EN)	
CN164	1-784-495-11	CONNECTOR, FFC/FPC 16P		D580	8-719-911-19	DIODE 1SS119 (E580)	
CN305	1-573-847-11	CONNECTOR, BOARD TO BOARD 15P		D581	8-719-911-19	DIODE 1SS119	
* CN306	1-766-718-21	CONNECTOR, BOARD TO BOARD 17P		D582	8-719-109-97	DIODE RD6.8ES-B2	
CN500	1-784-415-11	CONNECTOR, SQUARE TYPE 21P (LINE 1)		D583	8-719-109-97	DIODE RD6.8ES-B2	
CN570	1-784-415-11	CONNECTOR, SQUARE TYPE 21P (LINE 3) (EXCEPT E580EE/E630AE/E780EE)		D661	8-719-911-19	DIODE 1SS119	
CN600	1-569-341-11	CONNECTOR, BOARD TO BOARD 19P		D662	8-719-911-19	DIODE 1SS119	
< DIODE >				D700	8-719-911-19	DIODE 1SS119 (EXCEPT E580)	
D101	8-719-200-82	DIODE 11ES2		D702	8-719-982-26	DIODE MTZJ-33B	
D102	8-719-048-26	DIODE GL528V1		D751	8-719-109-85	DIODE RD5.1ES-B2	
D104	8-719-109-97	DIODE RD6.8ES-B2		D752	8-719-911-19	DIODE 1SS119	
D161	8-719-200-82	DIODE 11ES2 (E580EG/E630NP/E727/E730: B, NP, VC/ E735: B, VC/E780: EG, EN)		< FILTER >			
D163	8-719-200-82	DIODE 11ES2		FL500	1-236-163-11	ENCAPSULATED COMPONENT	
D164	8-719-200-82	DIODE 11ES2		FL501	1-236-163-11	ENCAPSULATED COMPONENT (EXCEPT E580)	
D165	8-719-109-97	DIODE RD6.8ES-B2		FL502	1-236-163-11	ENCAPSULATED COMPONENT	
D166	8-719-109-97	DIODE RD6.8ES-B2		FL503	1-236-163-11	ENCAPSULATED COMPONENT (EXCEPT E580EG)	
D167	8-719-109-97	DIODE RD6.8ES-B2		FL504	1-236-163-11	ENCAPSULATED COMPONENT (EXCEPT E580EG/E630)	
D168	8-719-109-97	DIODE RD6.8ES-B2		FL505	1-236-163-11	ENCAPSULATED COMPONENT (EXCEPT E580EG/E630)	
D169	8-719-109-97	DIODE RD6.8ES-B2		FL570	1-236-163-11	ENCAPSULATED COMPONENT (EXCEPT E580EE/E630AE/E780EE)	
D500	8-719-109-97	DIODE RD6.8ES-B2		FL571	1-236-163-11	ENCAPSULATED COMPONENT (EXCEPT E580/E630AE/E780EE)	
D501	8-719-109-97	DIODE RD6.8ES-B2		FL572	1-236-163-11	ENCAPSULATED COMPONENT (E580EG/E630NP/E727/E730: B, NP, VC/ E735: B, VC/E780: EG, EN)	
D502	8-719-109-97	DIODE RD6.8ES-B2 (EXCEPT E580)		FL573	1-236-163-11	ENCAPSULATED COMPONENT (E630NP/E727/E730: B, NP, VC/ E735: B, VC/E780: EG, EN)	
D503	8-719-109-97	DIODE RD6.8ES-B2 (EXCEPT E580)		FL660	1-233-527-11	FILTER, TRAP	
D504	8-719-109-97	DIODE RD6.8ES-B2					
D505	8-719-109-97	DIODE RD6.8ES-B2					
D506	8-719-109-97	DIODE RD6.8ES-B2 (EXCEPT E580EG)					
D507	8-719-109-97	DIODE RD6.8ES-B2 (EXCEPT E580EG)					
D508	8-719-109-97	DIODE RD6.8ES-B2					
D509	8-719-109-97	DIODE RD6.8ES-B2 (EXCEPT E580EG/E630)					
D511	8-719-109-97	DIODE RD6.8ES-B2					
D512	8-719-921-86	DIODE MTZJ-13					
D513	8-719-109-97	DIODE RD6.8ES-B2					
D514	8-719-109-97	DIODE RD6.8ES-B2					
D515	8-719-109-97	DIODE RD6.8ES-B2					
D516	8-719-109-97	DIODE RD6.8ES-B2					
D540	8-719-109-97	DIODE RD6.8ES-B2 (EXCEPT E580EE/E630AE/E780EE)					
D541	8-719-109-97	DIODE RD6.8ES-B2 (EXCEPT E580EE/E630AE/E780EE)					
D542	8-719-109-97	DIODE RD6.8ES-B2 (E580EG/E630NP/E727/E730: B, NP, VC/ E735: B, VC/E780: EG, EN)					

MA-315

Ref. No.	Part No.	Description	Remark	Ref. No.	Part No.	Description	Remark
		< IC >		JR025	1-216-296-91	SHORT	0
IC130	8-759-481-46	IC LB1943		JR026	1-216-295-91	SHORT	0
IC161	8-759-482-27	IC M37777MAA104GP (EXCEPT E580EE/E630/E780EE)		JR027	1-216-295-91	SHORT	0
IC161	8-759-495-33	IC M37777MAA105GP (E630)		JR028	1-216-296-91	SHORT	0 (E580)
IC161	8-759-482-29	IC M37777M7A238GP-C (E580EE/E780EE)		JR029	1-216-296-91	SHORT	0 (E580EE)
IC162	8-759-248-87	IC MM1256XF-BE		JR030	1-216-296-91	SHORT	0
IC163	8-759-454-78	IC 24LC08BT/SN		JR031	1-216-295-91	SHORT	0 (E580EE)
IC201	8-759-479-25	IC LA71514M-MPB		JR032	1-216-295-91	SHORT	0 (E580)
IC202	8-759-439-50	IC LC89977M-TE-L		JR033	1-216-296-91	SHORT	0
IC360	8-759-486-63	IC TDA9615H/N1,518 (EXCEPT E580)		JR034	1-216-295-91	SHORT	0
				JR035	1-216-295-91	SHORT	0
△IC530	8-759-438-18	IC PQ12RD08 (E580EG/E630NP/E727/E730: B, NP, VC/ E735: B, VC/E780: EG, EN)		JR036	1-216-295-91	SHORT	0
IC540	8-759-438-16	IC STV6400D (E580EG/E630NP/E727/E730: B, NP, VC/ E735: B, VC/E780: EG, EN)		JR037	1-216-295-91	SHORT	0
				JR038	1-216-296-91	SHORT	0
IC580	8-759-300-71	IC HD14053BFP (E580EG)		JR039	1-216-295-91	SHORT	0
IC660	8-759-480-27	IC LC74790M-9693-TLM (E630/E727/E730/E735)		JR040	1-216-296-91	SHORT	0 (EXCEPT E580EE/E630/E780EE)
IC660	8-759-480-26	IC LC74790M-9702-TLM (E580/E780)		JR041	1-216-295-91	SHORT	0
IC850	8-759-484-61	IC SDA5650X-GEG (EXCEPT E580EE/E630/E780EE)		JR042	1-216-296-91	SHORT	0
				JR043	1-216-296-91	SHORT	0
IC870	8-759-988-36	IC BA14741F (E580EE)		JR044	1-216-296-91	SHORT	0
		< JACK >		JR045	1-216-295-91	SHORT	0
J500	1-784-414-11	JACK, PIN 2P (LINE 2 OUT) (E727/E730/E735/E780: EG, EN)		JR046	1-216-296-91	SHORT	0
J500	1-784-412-11	JACK, PIN 3P (LINE 2 OUT) (E780EE)		JR047	1-216-295-91	SHORT	0
J500	1-784-413-11	JACK, PIN 3P (LINE 2 OUT) (E580EE)		JR048	1-216-296-91	SHORT	0
		< JUMPER RESISTOR >		JR049	1-216-296-91	SHORT	0
JR001	1-216-296-91	SHORT	0	JR050	1-216-296-91	SHORT	0
JR002	1-216-296-91	SHORT	0	JR051	1-216-295-91	SHORT	0
JR003	1-216-296-91	SHORT	0	JS201	1-216-295-91	SHORT	0
JR004	1-216-296-91	SHORT	0	JS500	1-216-295-91	SHORT	0 (E580)
JR005	1-216-296-91	SHORT	0	JS501	1-216-295-91	SHORT	0 (E580EG)
				JS502	1-216-295-91	SHORT	0 (EXCEPT E580EG)
JR006	1-216-296-91	SHORT	0	JS503	1-216-295-91	SHORT	0 (EXCEPT E580EG)
JR007	1-216-295-91	SHORT	0	JS504	1-216-295-91	SHORT	0 (EXCEPT E580EG)
JR008	1-216-296-91	SHORT	0	JS541	1-216-295-91	SHORT	0 (E580EE/E630AE/E730: EX, NC, UX, VP/ E735NC/E780EE)
JR009	1-216-296-91	SHORT	0	JS542	1-216-295-91	SHORT	0 (E580EE/E630AE/E730: EX, NC, UX, VP/ E735NC/E780EE)
JR010	1-216-295-91	SHORT	0	JS570	1-216-295-91	SHORT	0 (E580EG)
JR011	1-216-296-91	SHORT	0 (EXCEPT E580)	JS571	1-216-295-91	SHORT	0 (E580EG)
JR012	1-216-296-91	SHORT	0	JS572	1-216-295-91	SHORT	0 (EXCEPT E580EG)
JR013	1-216-295-91	SHORT	0	JS573	1-216-295-91	SHORT	0 (EXCEPT E580EG)
JR014	1-216-296-91	SHORT	0	JS575	1-216-295-91	SHORT	0 (EXCEPT E580)
JR015	1-216-295-91	SHORT	0	JS576	1-216-295-91	SHORT	0 (E580)
JR016	1-216-295-91	SHORT	0	JS700	1-216-296-91	SHORT	0 (E780EE)
JR017	1-216-296-91	SHORT	0 (E580)	JS701	1-216-295-91	SHORT	0 (E780EE)
JR018	1-216-296-91	SHORT	0 (E580)			< COIL >	
JR019	1-216-296-91	SHORT	0	L161	1-414-936-21	INDUCTOR	22uH
JR020	1-216-296-91	SHORT	0	L162	1-414-936-21	INDUCTOR	22uH
JR021	1-216-295-91	SHORT	0	L163	1-414-936-21	INDUCTOR	22uH
JR022	1-216-296-91	SHORT	0	L164	1-414-936-21	INDUCTOR	22uH
JR023	1-216-296-91	SHORT	0	L201	1-414-946-21	INDUCTOR	39uH
JR024	1-216-296-91	SHORT	0	L202	1-414-940-21	INDUCTOR	100uH

The components identified by mark △ or dotted line with mark △ are critical for safety.
Replace only with part number specified.

Ref. No.	Part No.	Description	Remark	Ref. No.	Part No.	Description	Remark
L203	1-469-014-21	INDUCTOR 120uH		Q520	8-729-216-22	TRANSISTOR 2SA1162 (E580EE/E780EE)	
L204	1-414-934-21	INDUCTOR 10uH		Q540	8-729-216-22	TRANSISTOR 2SA1162	
L205	1-414-940-21	INDUCTOR 100uH				(E580EG/E630NP/E727/E730: B, NP, VC/ E735: B, VC/E780: EG, EN)	
L206	1-414-934-21	INDUCTOR 10uH		Q580	8-729-422-27	TRANSISTOR 2SD601A-Q (E580)	
L207	1-414-934-21	INDUCTOR 10uH		Q581	8-729-421-19	TRANSISTOR UN2213 (E580EG)	
L301	1-414-940-21	INDUCTOR 100uH		Q582	8-729-421-19	TRANSISTOR UN2213 (E580EG)	
L361	1-414-940-21	INDUCTOR 100uH (EXCEPT E580)		Q583	8-729-421-19	TRANSISTOR UN2213 (E580EG)	
L510	1-414-940-21	INDUCTOR 100uH		Q585	8-729-216-22	TRANSISTOR 2SA1162 (EXCEPT E580)	
L530	1-414-940-21	INDUCTOR 100uH (E580EG/E630NP/E727/E730: B, NP, VC/ E735: B, VC/E780: EG, EN)		Q660	8-729-216-22	TRANSISTOR 2SA1162	
L540	1-414-934-21	INDUCTOR 10uH (E580EG/E630NP/E727/E730: B, NP, VC/ E735: B, VC/E780: EG, EN)		Q661	8-729-216-22	TRANSISTOR 2SA1162	
L580	1-414-940-21	INDUCTOR 100uH (E580)		Q662	8-729-216-22	TRANSISTOR 2SA1162	
L661	1-414-940-21	INDUCTOR 100uH		Q700	8-729-027-56	TRANSISTOR DTC143TKA-T146 (EXCEPT E580)	
L662	1-414-936-21	INDUCTOR 22uH (E580/E730B/E735B/E780)		Q701	8-729-216-22	TRANSISTOR 2SA1162 (EXCEPT E580)	
L663	1-414-940-21	INDUCTOR 100uH		Q702	8-729-216-22	TRANSISTOR 2SA1162 (E780EE)	
L700	1-414-934-21	INDUCTOR 10uH (E780EE)		Q730	8-729-027-56	TRANSISTOR DTC143TKA-T146 (EXCEPT E580)	
L701	1-414-930-21	INDUCTOR 2.2uH		Q731	8-729-027-56	TRANSISTOR DTC143TKA-T146 (EXCEPT E580)	
L750	1-414-930-21	INDUCTOR 2.2uH		Q750	8-729-012-31	TRANSISTOR 2SC4040-TL2-Q	
L751	1-414-930-21	INDUCTOR 2.2uH (E580/E780EE)		Q751	8-729-421-19	TRANSISTOR UN2213	
		< PHOTO INTERRUPTER >		Q752	8-729-216-22	TRANSISTOR 2SA1162	
PH100	8-749-013-23	PHOTO INTERRUPTER GP3S120		Q850	8-729-216-22	TRANSISTOR 2SA1162 (EXCEPT E580EE/E630/E780EE)	
PH101	8-749-013-23	PHOTO INTERRUPTER GP3S120		Q873	8-729-422-27	TRANSISTOR 2SD601A-Q (E580EE)	
		< IC LINK >		Q874	8-729-421-19	TRANSISTOR UN2213 (E580EE)	
△PS100	1-533-586-31	LINK, IC 491.315 (0.315A)				< RESISTOR >	
△PS131	1-533-586-31	LINK, IC 491.315 (0.315A) (E580EG/E630NP/E727/E730: B, NP, VC/ E735: B, VC/E780: EG, EN)		R100	1-216-089-91	RES, CHIP 47K 5% 1/10W	
		< TRANSISTOR >		R101	1-249-413-11	CARBON 470 5% 1/4W F	
Q100	8-729-043-84	TRANSISTOR PT380F3		R102	1-249-429-11	CARBON 10K 5% 1/4W	
Q101	8-729-043-84	TRANSISTOR PT380F3		R103	1-216-089-91	RES, CHIP 47K 5% 1/10W	
Q102	8-729-281-53	TRANSISTOR 2SC1815-GR		R104	1-247-863-91	CARBON 22K 5% 1/4W	
Q161	8-729-804-41	TRANSISTOR 2SB1122-S (E580EG/E630NP/E727/E730: B, NP, VC/ E735: B, VC/E780: EG, EN)		R105	1-216-081-00	METAL CHIP 22K 5% 1/10W	
Q162	8-729-421-19	TRANSISTOR UN2213 (E580EG/E630NP/E727/E730: B, NP, VC/ E735: B, VC/E780: EG, EN)		R106	1-216-057-00	METAL CHIP 2.2K 5% 1/10W	
Q201	8-729-422-27	TRANSISTOR 2SD601A-Q		R107	1-216-049-91	RES, CHIP 1K 5% 1/10W	
Q202	8-729-422-27	TRANSISTOR 2SD601A-Q		R108	1-249-400-11	CARBON 39 5% 1/4W F	
Q208	8-729-422-27	TRANSISTOR 2SD601A-Q		R109	1-249-400-11	CARBON 39 5% 1/4W F	
Q209	8-729-216-22	TRANSISTOR 2SA1162		R110	1-249-429-11	CARBON 10K 5% 1/4W	
Q210	8-729-422-27	TRANSISTOR 2SD601A-Q		R111	1-216-065-91	RES, CHIP 4.7K 5% 1/10W	
Q211	8-729-422-27	TRANSISTOR 2SD601A-Q		R112	1-216-089-91	RES, CHIP 47K 5% 1/10W	
Q301	8-729-281-53	TRANSISTOR 2SC1815-GR		R113	1-216-089-91	RES, CHIP 47K 5% 1/10W	
Q501	8-729-424-08	TRANSISTOR UN2111		R114	1-216-089-91	RES, CHIP 47K 5% 1/10W	
Q502	8-729-421-19	TRANSISTOR UN2213		R115	1-216-089-91	RES, CHIP 47K 5% 1/10W	
Q503	8-729-422-27	TRANSISTOR 2SD601A-Q		R118	1-216-049-91	RES, CHIP 1K 5% 1/10W	
Q504	8-729-422-27	TRANSISTOR 2SD601A-Q (EXCEPT E580EG)		R119	1-216-295-91	SHORT 0	
Q510	8-729-216-22	TRANSISTOR 2SA1162		R122	1-216-041-00	METAL CHIP 470 5% 1/10W	
				R130	1-216-085-00	METAL CHIP 33K 5% 1/10W	
				R131	1-216-085-00	METAL CHIP 33K 5% 1/10W	
				R134	1-216-089-91	RES, CHIP 47K 5% 1/10W	
				R135	1-216-073-00	METAL CHIP 10K 5% 1/10W	
				R136	1-216-077-00	METAL CHIP 15K 5% 1/10W	
				R160	1-216-089-91	RES, CHIP 47K 5% 1/10W	
				R161	1-216-049-91	RES, CHIP 1K 5% 1/10W (E580EG/E630NP/E727/E730: B, NP, VC/ E735: B, VC/E780: EG, EN)	

The components identified by mark △ or dotted line with mark △ are critical for safety. Replace only with part number specified.

MA-315

Ref. No.	Part No.	Description	Remark	Ref. No.	Part No.	Description	Remark
R162	1-216-039-00	METAL CHIP	390 5% 1/10W (E580EG/E630NP/E727/E730: B, NP, VC/ E735: B, VC/E780: EG, EN)	R208	1-216-059-00	METAL CHIP	2.7K 5% 1/10W (EXCEPT E580)
R164	1-216-295-91	SHORT	0	R208	1-216-065-91	RES, CHIP	4.7K 5% 1/10W (E580)
R165	1-216-295-91	SHORT	0	R209	1-216-041-00	METAL CHIP	470 5% 1/10W
R166	1-216-295-91	SHORT	0	R210	1-216-025-91	RES, CHIP	100 5% 1/10W
R167	1-216-049-91	RES, CHIP	1K 5% 1/10W (EXCEPT E580/E730B/E735B/E780)	R218	1-216-065-91	RES, CHIP	4.7K 5% 1/10W
R168	1-216-049-91	RES, CHIP	1K 5% 1/10W (E580EE/E730: B, EX, UX/E735B)	R219	1-216-053-00	METAL CHIP	1.5K 5% 1/10W
R169	1-216-049-91	RES, CHIP	1K 5% 1/10W (EXCEPT E730: B, EX, UX/E735B)	R221	1-216-057-00	METAL CHIP	2.2K 5% 1/10W
R170	1-216-121-91	RES, CHIP	1M 5% 1/10W	R222	1-216-051-00	METAL CHIP	1.2K 5% 1/10W
R171	1-216-065-91	RES, CHIP	4.7K 5% 1/10W	R223	1-216-017-91	RES, CHIP	47 5% 1/10W
R172	1-216-073-00	METAL CHIP	10K 5% 1/10W	R224	1-216-017-91	RES, CHIP	47 5% 1/10W (E580/E730:EX,NC,UX,VP/E735NC/E780)
R173	1-216-039-00	METAL CHIP	390 5% 1/10W	R225	1-216-017-91	RES, CHIP	47 5% 1/10W
R174	1-218-179-11	RES, CHIP	10M 5% 1/10W	R226	1-216-025-91	RES, CHIP	100 5% 1/10W
R175	1-216-113-00	METAL CHIP	470K 5% 1/10W	R227	1-216-025-91	RES, CHIP	100 5% 1/10W
R176	1-216-041-00	METAL CHIP	470 5% 1/10W	R228	1-216-057-00	METAL CHIP	2.2K 5% 1/10W
R177	1-216-105-91	RES, CHIP	220K 5% 1/10W	R229	1-216-051-00	METAL CHIP	1.2K 5% 1/10W
R178	1-216-041-00	METAL CHIP	470 5% 1/10W	R230	1-216-045-00	METAL CHIP	680 5% 1/10W
R179	1-216-041-00	METAL CHIP	470 5% 1/10W	R231	1-216-071-00	METAL CHIP	8.2K 5% 1/10W
R181	1-216-061-00	METAL CHIP	3.3K 5% 1/10W	R232	1-216-049-91	RES, CHIP	1K 5% 1/10W
R182	1-216-061-00	METAL CHIP	3.3K 5% 1/10W	R233	1-216-055-00	METAL CHIP	1.8K 5% 1/10W
R184	1-249-429-11	CARBON	10K 5% 1/4W	R234	1-216-089-91	RES, CHIP	47K 5% 1/10W
R185	1-216-075-00	METAL CHIP	12K 5% 1/10W (E730: UX, NP/E780EN)	R235	1-216-049-91	RES, CHIP	1K 5% 1/10W
R185	1-216-071-00	METAL CHIP	8.2K 5% 1/10W (E580EG/E727/E730: B, VC/E735: B, VC)	R236	1-216-049-91	RES, CHIP	1K 5% 1/10W
R185	1-216-067-00	METAL CHIP	5.6K 5% 1/10W (E730NC/E735NC)	R239	1-216-057-00	METAL CHIP	2.2K 5% 1/10W
R185	1-216-079-00	METAL CHIP	18K 5% 1/10W (E730EX/E780EG)	R240	1-216-049-91	RES, CHIP	1K 5% 1/10W
R185	1-216-053-00	METAL CHIP	1.5K 5% 1/10W (E630NP)	R243	1-216-061-00	METAL CHIP	3.3K 5% 1/10W
R185	1-216-295-91	SHORT	0 (E630AE)	R301	1-249-439-11	CARBON	68K 5% 1/4W
R185	1-216-061-00	METAL CHIP	3.3K 5% 1/10W (E730VP)	R302	1-216-067-00	METAL CHIP	5.6K 5% 1/10W
R186	1-216-049-91	RES, CHIP	1K 5% 1/10W	R303	1-249-439-11	CARBON	68K 5% 1/4W (E580)
R187	1-216-295-91	SHORT	0	R304	1-249-439-11	CARBON	68K 5% 1/4W (E580)
R188	1-216-295-91	SHORT	0	R305	1-216-067-00	METAL CHIP	5.6K 5% 1/10W (E580)
R189	1-216-049-91	RES, CHIP	1K 5% 1/10W	R306	1-216-073-00	METAL CHIP	10K 5% 1/10W
R190	1-216-061-00	METAL CHIP	3.3K 5% 1/10W	R307	1-216-061-00	METAL CHIP	3.3K 5% 1/10W
R191	1-249-437-11	CARBON	47K 5% 1/4W	R308	1-216-067-00	METAL CHIP	5.6K 5% 1/10W (E580)
R192	1-249-437-11	CARBON	47K 5% 1/4W	R309	1-216-067-00	METAL CHIP	5.6K 5% 1/10W
R193	1-216-075-00	METAL CHIP	12K 5% 1/10W	R310	1-216-129-00	METAL CHIP	2.2M 5% 1/10W
R194	1-216-295-91	SHORT	0	R311	1-216-051-00	METAL CHIP	1.2K 5% 1/10W
R195	1-216-295-91	SHORT	0	R312	1-216-079-00	METAL CHIP	18K 5% 1/10W
R196	1-216-049-91	RES, CHIP	1K 5% 1/10W (EXCEPT E580)	R313	1-216-109-00	METAL CHIP	330K 5% 1/10W
R197	1-216-295-91	SHORT	0 (EXCEPT E580)	R314	1-216-035-00	METAL CHIP	270 5% 1/10W
R198	1-216-051-00	METAL CHIP	1.2K 5% 1/10W	R315	1-216-069-00	METAL CHIP	6.8K 5% 1/10W
R199	1-216-089-91	RES, CHIP	47K 5% 1/10W	R316	1-216-073-00	METAL CHIP	10K 5% 1/10W
R201	1-216-041-00	METAL CHIP	470 5% 1/10W	R318	1-216-075-00	METAL CHIP	12K 5% 1/10W
R202	1-216-067-00	METAL CHIP	5.6K 5% 1/10W	R320	1-216-047-91	RES, CHIP	820 5% 1/10W
R203	1-249-413-11	CARBON	470 5% 1/4W F	R368	1-216-133-00	METAL CHIP	3.3M 5% 1/10W (EXCEPT E580)
R204	1-216-047-91	RES, CHIP	820 5% 1/10W	R370	1-216-065-91	RES, CHIP	4.7K 5% 1/10W (EXCEPT E580)
R205	1-216-037-00	METAL CHIP	330 5% 1/10W	R371	1-208-820-11	RES, CHIP	39K 0.50% 1/10W (EXCEPT E580)
R206	1-216-037-00	METAL CHIP	330 5% 1/10W	R372	1-216-065-91	RES, CHIP	4.7K 5% 1/10W (EXCEPT E580)
R207	1-216-073-00	METAL CHIP	10K 5% 1/10W	R378	1-216-083-00	METAL CHIP	27K 5% 1/10W (EXCEPT E580)
				R380	1-216-065-91	RES, CHIP	4.7K 5% 1/10W (E630AE/E780)

Ref. No.	Part No.	Description	Remark	Ref. No.	Part No.	Description	Remark
R381	1-216-065-91	RES, CHIP	4.7K 5% 1/10W (E630AE/E780)	R541	1-216-053-00	METAL CHIP 1.5K 5% 1/10W (E580EG/E630NP/E727/E730: B, NP, VC/ E735: B, VC/E780: EG, EN)	
R382	1-216-079-00	METAL CHIP	18K 5% 1/10W (EXCEPT E580)	R542	1-216-053-00	METAL CHIP 1.5K 5% 1/10W (E580EG/E630NP/E727/E730: B, NP, VC/ E735: B, VC/E780: EG, EN)	
R383	1-216-079-00	METAL CHIP	18K 5% 1/10W (EXCEPT E580)	R545	1-216-085-00	METAL CHIP 33K 5% 1/10W	
R384	1-216-091-00	METAL CHIP	56K 5% 1/10W (EXCEPT E580)	R546	1-216-089-91	RES, CHIP 47K 5% 1/10W (E580EG/E630NP/E727/E730: B, NP, VC/ E735: B, VC/E780: EG, EN)	
R385	1-216-091-00	METAL CHIP	56K 5% 1/10W (EXCEPT E580)	R547	1-216-049-91	RES, CHIP 1K 5% 1/10W (E580EG/E630NP/E727/E730: B, NP, VC/ E735: B, VC/E780: EG, EN)	
R389	1-216-073-00	METAL CHIP	10K 5% 1/10W (EXCEPT E580)	R548	1-216-022-00	METAL CHIP 75 5% 1/10W (EXCEPT E580EE/E630AE/E780EE)	
R390	1-216-079-00	METAL CHIP	18K 5% 1/10W (EXCEPT E580/E630AE)	R549	1-216-022-00	METAL CHIP 75 5% 1/10W (E580EG/E630NP/E727/E730: B, NP, VC/ E735: B, VC/E780: EG, EN)	
R391	1-216-079-00	METAL CHIP	18K 5% 1/10W (EXCEPT E580/E630AE)	R570	1-216-041-00	METAL CHIP 470 5% 1/10W (EXCEPT E580EE/E630AE/E780EE)	
R394	1-216-049-91	RES, CHIP	1K 5% 1/10W (EXCEPT E580)	R571	1-216-041-00	METAL CHIP 470 5% 1/10W (EXCEPT E580EE/E630AE/E780EE)	
R399	1-216-049-91	RES, CHIP	1K 5% 1/10W (EXCEPT E580)	R572	1-216-041-00	METAL CHIP 470 5% 1/10W (E580EG/E630NP/E727/E730: B, NP, VC/ E735: B, VC/E780: EG, EN)	
R407	1-216-073-00	METAL CHIP	10K 5% 1/10W	R573	1-216-041-00	METAL CHIP 470 5% 1/10W (E630NP/E727/E730: B, NP, VC/ E735: B, VC/E780: EG, EN)	
R418	1-216-689-11	METAL CHIP	39K 0.5% 1/10W	R574	1-216-097-91	RES, CHIP 100K 5% 1/10W (E580EG/E630NP/E727/E730: B, NP, VC/ E735: B, VC/E780: EG, EN)	
R500	1-216-041-00	METAL CHIP	470 5% 1/10W	R575	1-216-097-91	RES, CHIP 100K 5% 1/10W (E630NP/E727/E730: B, NP, VC/ E735: B, VC/E780: EG, EN)	
R501	1-216-041-00	METAL CHIP	470 5% 1/10W	R580	1-216-073-00	METAL CHIP 10K 5% 1/10W (E580)	
R502	1-216-041-00	METAL CHIP	470 5% 1/10W	R581	1-216-077-00	METAL CHIP 15K 5% 1/10W (E580)	
R503	1-216-041-00	METAL CHIP	470 5% 1/10W (EXCEPT E580EG)	R582	1-216-057-00	METAL CHIP 2.2K 5% 1/10W (E580)	
R504	1-247-815-91	CARBON	220 5% 1/4W (E580EG)	R583	1-216-097-91	RES, CHIP 100K 5% 1/10W (E580EG)	
R505	1-216-049-91	RES, CHIP	1K 5% 1/10W	R584	1-216-097-91	RES, CHIP 100K 5% 1/10W (E580EG)	
R506	1-216-049-91	RES, CHIP	1K 5% 1/10W (EXCEPT E580EG)	R585	1-216-097-91	RES, CHIP 100K 5% 1/10W (E580EG)	
R507	1-216-033-00	METAL CHIP	220 5% 1/10W (E580EE)	R586	1-216-097-91	RES, CHIP 100K 5% 1/10W (E580EG)	
R508	1-247-815-91	CARBON	220 5% 1/4W (E580EE)	R587	1-216-097-91	RES, CHIP 100K 5% 1/10W (E580EG)	
R509	1-216-065-91	RES, CHIP	4.7K 5% 1/10W (EXCEPT E580EG/E630)	R588	1-216-073-00	METAL CHIP 10K 5% 1/10W (E580EG)	
R510	1-249-408-11	CARBON	180 5% 1/4W F	R589	1-216-073-00	METAL CHIP 10K 5% 1/10W (E580EG)	
R511	1-249-407-11	CARBON	150 5% 1/4W F	R590	1-216-073-00	METAL CHIP 10K 5% 1/10W (E580EG)	
R512	1-216-021-00	METAL CHIP	68 5% 1/10W	R595	1-216-049-91	RES, CHIP 1K 5% 1/10W (EXCEPT E580)	
R514	1-216-037-00	METAL CHIP	330 5% 1/10W	R660	1-216-049-91	RES, CHIP 1K 5% 1/10W	
R515	1-216-049-91	RES, CHIP	1K 5% 1/10W	R661	1-216-295-91	SHORT 0	
R516	1-216-065-91	RES, CHIP	4.7K 5% 1/10W	R662	1-216-057-00	METAL CHIP 2.2K 5% 1/10W	
R517	1-216-022-00	METAL CHIP	75 5% 1/10W	R663	1-216-057-00	METAL CHIP 2.2K 5% 1/10W	
R518	1-216-065-91	RES, CHIP	4.7K 5% 1/10W (EXCEPT E580EG/E630)				
R520	1-216-021-00	METAL CHIP	68 5% 1/10W (E580EE/E780EE)				
R521	1-249-407-11	CARBON	150 5% 1/4W F (E580EE/E780EE)				
R522	1-216-037-00	METAL CHIP	330 5% 1/10W (E580EE/E780EE)				
R530	1-216-049-91	RES, CHIP	1K 5% 1/10W (E580EG/E630NP/E727/E730: B, NP, VC/ E735: B, VC/E780: EG, EN)				
R531	1-216-055-00	METAL CHIP	1.8K 5% 1/10W (E580EG/E630NP/E727/E730: B, NP, VC/ E735: B, VC/E780: EG, EN)				
R540	1-216-025-91	RES, CHIP	100 5% 1/10W (E580EG/E630NP/E727/E730: B, NP, VC/ E735: B, VC/E780: EG, EN)				

MA-315

Ref. No.	Part No.	Description	Remark
R664	1-216-049-91	RES, CHIP 1K 5% 1/10W (E580EE/E630AE/E730: EX, NC, UX, VP/ E735NC/E780EE)	
R664	1-216-041-00	METAL CHIP 470 5% 1/10W (E580EG/E630NP/E727/E730: B, NP, VC/ E735: B, VC/E780: EG, EN)	
R665	1-216-069-00	METAL CHIP 6.8K 5% 1/10W	
R666	1-216-053-00	METAL CHIP 1.5K 5% 1/10W	
R669	1-216-049-91	RES, CHIP 1K 5% 1/10W (E580/E730B/E735B/E780)	
R670	1-216-041-00	METAL CHIP 470 5% 1/10W	
R671	1-216-041-00	METAL CHIP 470 5% 1/10W	
R672	1-216-089-91	RES, CHIP 47K 5% 1/10W	
R673	1-216-089-91	RES, CHIP 47K 5% 1/10W	
R674	1-216-081-00	METAL CHIP 22K 5% 1/10W	
R675	1-216-113-00	METAL CHIP 470K 5% 1/10W	
R677	1-216-295-91	SHORT 0 (E580EE/E630AE/E730: EX, NC, UX, VP/ E735NC/E780EE)	
R677	1-216-041-00	METAL CHIP 470 5% 1/10W (E580EG/E630NP/E727/E730: B, NP, VC/ E735: B, VC/E780: EG, EN)	
R700	1-216-057-00	METAL CHIP 2.2K 5% 1/10W (EXCEPT E580)	
R701	1-216-073-00	METAL CHIP 10K 5% 1/10W (E780EE)	
R702	1-216-295-91	SHORT 0 (EXCEPT E780EE)	
R703	1-216-025-91	RES, CHIP 100 5% 1/10W (E780EE)	
R711	1-212-893-00	FUSIBLE 330 5% 1/4W F	
R713	1-216-025-91	RES, CHIP 100 5% 1/10W	
R714	1-216-113-00	METAL CHIP 470K 5% 1/10W	
R715	1-216-049-91	RES, CHIP 1K 5% 1/10W	
R716	1-216-049-91	RES, CHIP 1K 5% 1/10W	
R717	1-216-037-00	METAL CHIP 330 5% 1/10W (EXCEPT E580/E780EE)	
R717	1-216-295-91	SHORT 0 (E580/E780EE)	
R718	1-216-037-00	METAL CHIP 330 5% 1/10W (E580/E780EE)	
R730	1-216-041-00	METAL CHIP 470 5% 1/10W (EXCEPT E580/E780EE)	
R731	1-216-041-00	METAL CHIP 470 5% 1/10W (E730B/E735B)	
R732	1-216-041-00	METAL CHIP 470 5% 1/10W (EXCEPT E580/E780EE)	
R733	1-216-041-00	METAL CHIP 470 5% 1/10W (E580/E730B/E735B/E780)	
R751	1-216-009-00	METAL CHIP 22 5% 1/10W	
R752	1-216-295-91	SHORT 0 (EXCEPT E580)	
R752	1-216-049-91	RES, CHIP 1K 5% 1/10W (E580)	
R753	1-216-081-00	METAL CHIP 22K 5% 1/10W (E580)	
R754	1-216-025-91	RES, CHIP 100 5% 1/10W	
R755	1-216-025-91	RES, CHIP 100 5% 1/10W	
R756	1-216-073-00	METAL CHIP 10K 5% 1/10W	
R757	1-216-049-91	RES, CHIP 1K 5% 1/10W	
R850	1-247-807-31	CARBON 100 5% 1/4W (EXCEPT E580EE/E630/E780EE)	
R851	1-216-079-00	METAL CHIP 18K 5% 1/10W (EXCEPT E580EE/E630/E780EE)	

Ref. No.	Part No.	Description	Remark
R852	1-216-083-00	METAL CHIP 27K 5% 1/10W (EXCEPT E580EE/E630/E780EE)	
R853	1-216-049-91	RES, CHIP 1K 5% 1/10W (EXCEPT E580EE/E630/E780EE)	
R856	1-216-097-91	RES, CHIP 100K 5% 1/10W (EXCEPT E580EE/E630/E780EE)	
R857	1-216-069-00	METAL CHIP 6.8K 5% 1/10W (EXCEPT E580EE/E630/E780EE)	
R858	1-216-069-00	METAL CHIP 6.8K 5% 1/10W (EXCEPT E580EE/E630/E780EE)	
R859	1-216-123-11	METAL CHIP 1.2M 5% 1/10W (EXCEPT E580EE/E630/E780EE)	
R860	1-216-123-11	METAL CHIP 1.2M 5% 1/10W (EXCEPT E580EE/E630/E780EE)	
R861	1-216-117-00	METAL CHIP 680K 5% 1/10W (EXCEPT E580EE/E630/E780EE)	
R862	1-216-057-00	METAL CHIP 2.2K 5% 1/10W (EXCEPT E580EE/E630/E780EE)	
R870	1-216-097-91	RES, CHIP 100K 5% 1/10W (E580EE)	
R871	1-216-097-91	RES, CHIP 100K 5% 1/10W (E580EE)	
R872	1-216-049-91	RES, CHIP 1K 5% 1/10W (E580EE)	
R873	1-216-081-00	METAL CHIP 22K 5% 1/10W (E580EE)	
R875	1-216-073-00	METAL CHIP 10K 5% 1/10W (E580EE)	
R877	1-216-089-91	RES, CHIP 47K 5% 1/10W (E580EE)	
R878	1-216-081-00	METAL CHIP 22K 5% 1/10W (E580EE)	
R879	1-216-089-91	RES, CHIP 47K 5% 1/10W (E580EE)	
R880	1-216-077-00	METAL CHIP 15K 5% 1/10W (E580EE)	
R881	1-216-073-00	METAL CHIP 10K 5% 1/10W (E580EE)	
R882	1-216-073-00	METAL CHIP 10K 5% 1/10W (E580EE)	
R883	1-216-077-00	METAL CHIP 15K 5% 1/10W (E580EE)	
R884	1-216-073-00	METAL CHIP 10K 5% 1/10W (E580EE)	
R885	1-216-081-00	METAL CHIP 22K 5% 1/10W (E580EE)	
R886	1-216-081-00	METAL CHIP 22K 5% 1/10W (E580EE)	
R887	1-216-073-00	METAL CHIP 10K 5% 1/10W (E580EE)	
R888	1-216-089-91	RES, CHIP 47K 5% 1/10W (E580EE)	
< MODULATOR >			
RFU750	1-475-059-11	MODULATOR, RF (RFU-2101) (EXCEPT E580/E730B/E735B/E780EE)	
RFU750	1-475-058-11	MODULATOR, RF (RFU-2110) (E730B/E735B)	
< SWITCH >			
S100	1-771-155-11	SWITCH, ROTARY (CAM ENCODER)	
S101	1-762-108-11	SWITCH, PUSH (1 KEY) (REC PRF)	

Ref. No.	Part No.	Description	Remark
S160	1-571-588-31	SWITCH, SLIDE (4.43 ONPAL)	
		< TUNER >	
TU700	1-693-359-12	TUNER, MOD/IF SOLID TYPE (E580EE/E780EE)	
TU700	1-693-360-12	TUNER, MOD/IF SOLID TYPE (E580EG)	
TU701	8-598-403-00	FSS TUNER BTF-WU601 (E730UX)	
TU701	8-598-402-00	FSS TUNER BTF-WC411 (E630NP/E730:NC,NP/E735NC)	
TU702	1-693-362-21	TUNER, (IF) SOLID TYPE (E730B/E735B)	
TU702	1-693-365-12	TUNER, (IF) SOLID TYPE (E730EX)	
TU702	1-693-361-13	TUNER, (IF) SOLID TYPE (E780EG)	
TU702	1-693-363-13	TUNER, (IF) SOLID TYPE (E780EN)	
TU702	1-693-368-12	TUNER, (IF) SOLID TYPE (E630AE/E727/E730: VC, VP/E735VC)	
		< VIBRATOR >	
X161	1-760-494-11	VIBRATOR, CRYSTAL (16MHz)	
X162	1-579-463-11	VIBRATOR, CRYSTAL (32.768kHz)	
X201	1-579-608-11	VIBRATOR, CRYSTAL (4.43MHz)	
X660	1-577-289-11	VIBRATOR, CRYSTAL (17.734475MHz)	
* A-6791-500-A	RP-230 BOARD, COMPLETE (EXCEPT E580)		
* A-6791-558-A	RP-230 BOARD, COMPLETE (E580)		

		(Ref.No. 1,000 Series)	
		< CAPACITOR >	
C260	1-163-229-11	CERAMIC CHIP 12PF 5% 50V	
C261	1-163-229-11	CERAMIC CHIP 12PF 5% 50V	
C264	1-163-037-11	CERAMIC CHIP 0.022uF 10% 25V	
C265	1-163-037-11	CERAMIC CHIP 0.022uF 10% 25V	
C266	1-164-232-11	CERAMIC CHIP 0.01uF 50V	
C267	1-163-037-11	CERAMIC CHIP 0.022uF 10% 25V	
C268	1-163-243-11	CERAMIC CHIP 47PF 5% 50V	
C269	1-163-243-11	CERAMIC CHIP 47PF 5% 50V	
C270	1-163-037-11	CERAMIC CHIP 0.022uF 10% 25V	
C271	1-163-037-11	CERAMIC CHIP 0.022uF 10% 25V	
C272	1-163-243-11	CERAMIC CHIP 47PF 5% 50V	
C273	1-163-243-11	CERAMIC CHIP 47PF 5% 50V	
C274	1-163-037-11	CERAMIC CHIP 0.022uF 10% 25V	
C275	1-109-982-11	CERAMIC CHIP 1uF 10% 10V	
C276	1-163-037-11	CERAMIC CHIP 0.022uF 10% 25V	
C277	1-163-037-11	CERAMIC CHIP 0.022uF 10% 25V	
C278	1-163-037-11	CERAMIC CHIP 0.022uF 10% 25V	
C279	1-163-037-11	CERAMIC CHIP 0.022uF 10% 25V	
C280	1-124-584-00	ELECT 100uF 20% 10V	
C282	1-164-232-11	CERAMIC CHIP 0.01uF 50V	
C283	1-163-038-91	CERAMIC CHIP 0.1uF 25V	
C284	1-163-038-91	CERAMIC CHIP 0.1uF 25V	
C285	1-109-982-11	CERAMIC CHIP 1uF 10% 10V	
C286	1-128-057-11	ELECT 330uF 20% 6.3V	
C287	1-163-239-11	CERAMIC CHIP 33PF 5% 50V	
C288	1-163-239-11	CERAMIC CHIP 33PF 5% 50V	
C289	1-163-038-91	CERAMIC CHIP 0.1uF 25V	
C298	1-164-232-11	CERAMIC CHIP 0.01uF 50V	
C321	1-126-967-11	ELECT 47uF 20% 16V	
C322	1-164-232-11	CERAMIC CHIP 0.01uF 50V	
C323	1-164-232-11	CERAMIC CHIP 0.01uF 50V	
C324	1-137-397-11	FILM 0.047uF 5% 100V (EXCEPT E580)	

Ref. No.	Part No.	Description	Remark
C324	1-137-462-11	FILM 0.018uF 5% 100V (E580)	
C331	1-126-933-11	ELECT 100uF 20% 16V (E580)	
C332	1-164-232-11	CERAMIC CHIP 0.01uF 50V (E580)	
C334	1-163-011-11	CERAMIC CHIP 0.0015uF 10% 50V (E580)	
C335	1-137-397-11	FILM 0.047uF 5% 100V (E580)	
C340	1-163-031-11	CERAMIC CHIP 0.01uF 50V (EXCEPT E580)	
C341	1-124-584-00	ELECT 100uF 20% 10V (EXCEPT E580)	
C342	1-107-725-11	CERAMIC CHIP 0.1uF 10% 16V (EXCEPT E580)	
C346	1-164-232-11	CERAMIC CHIP 0.01uF 50V (EXCEPT E580)	
C350	1-107-725-11	CERAMIC CHIP 0.1uF 10% 16V (EXCEPT E580)	
C352	1-163-009-11	CERAMIC CHIP 0.001uF 10% 50V (EXCEPT E580)	
C353	1-163-038-91	CERAMIC CHIP 0.1uF 25V (EXCEPT E580)	
C357	1-163-009-11	CERAMIC CHIP 0.001uF 10% 50V (EXCEPT E580)	
C358	1-163-038-91	CERAMIC CHIP 0.1uF 25V (EXCEPT E580)	
C359	1-163-031-11	CERAMIC CHIP 0.01uF 50V (EXCEPT E580)	
		< CONNECTOR >	
CN260	1-784-492-11	CONNECTOR, FFC/FPC 13P (EXCEPT E580)	
CN260	1-784-487-11	CONNECTOR, FFC/FPC 8P (E580)	
* CN261	1-564-030-00	PIN, CONNECTOR 5P	
CN271	1-573-829-11	CONNECTOR, BOARD TO BOARD 15P	
CN272	1-766-720-11	CONNECTOR, BOARD TO BOARD 17P	
CN301	1-506-481-11	PIN, CONNECTOR 2P	
* CN302	1-568-942-11	PIN, CONNECTOR 4P	
* CN341	1-564-027-00	PIN, CONNECTOR 2P (EXCEPT E580)	
		< IC >	
IC260	8-759-352-17	IC HA118195NT	
IC301	8-759-499-30	IC BA7755AF-E2	
IC340	8-759-486-92	IC LA7256 (EXCEPT E580)	
		< JUMPER RESISTOR >	
JR260	1-216-295-91	SHORT 0	
JS331	1-216-295-91	SHORT 0 (EXCEPT E580)	
		< COIL >	
L262	1-414-940-21	INDUCTOR 100uH	
L263	1-414-940-21	INDUCTOR 100uH	
L321	1-414-940-21	INDUCTOR 100uH	
L322	1-414-940-21	INDUCTOR 100uH	
L331	1-410-687-11	INDUCTOR 1.2mH	
L341	1-414-940-21	INDUCTOR 100uH (EXCEPT E580)	

Ref. No.	Part No.	Description	Remark
		< IC LINK >	
△PS331	1-533-586-31	LINK, IC 491.315 (0.315A) (E580)	
		< TRANSISTOR >	
Q260	8-729-422-27	TRANSISTOR 2SD601A-Q	
Q321	8-729-802-91	TRANSISTOR 2SD879	
Q331	8-729-012-31	TRANSISTOR 2SC4040-TL2-Q (E580)	
Q332	8-729-900-51	TRANSISTOR DTA114TK (E580)	
Q333	8-729-421-19	TRANSISTOR UN2213	
		< RESISTOR >	
R260	1-216-043-91	RES, CHIP 560 5% 1/10W	
R261	1-216-043-91	RES, CHIP 560 5% 1/10W	
R262	1-216-295-91	SHORT 0	
R263	1-216-295-91	SHORT 0	
R264	1-216-295-91	SHORT 0	
R265	1-216-295-91	SHORT 0	
R266	1-216-053-00	METAL CHIP 1.5K 5% 1/10W	
R267	1-216-071-00	METAL CHIP 8.2K 5% 1/10W	
R268	1-216-081-00	METAL CHIP 22K 5% 1/10W	
R269	1-216-059-00	METAL CHIP 2.7K 5% 1/10W	
R270	1-216-081-00	METAL CHIP 22K 5% 1/10W	
R271	1-216-049-91	RES, CHIP 1K 5% 1/10W	
R272	1-216-081-00	METAL CHIP 22K 5% 1/10W	
R273	1-216-081-00	METAL CHIP 22K 5% 1/10W	
R274	1-216-073-00	METAL CHIP 10K 5% 1/10W	
R275	1-216-073-00	METAL CHIP 10K 5% 1/10W	
R276	1-216-049-91	RES, CHIP 1K 5% 1/10W	
R288	1-216-097-91	RES, CHIP 100K 5% 1/10W	
R317	1-216-079-00	METAL CHIP 18K 5% 1/10W	
R321	1-216-017-91	RES, CHIP 47 5% 1/10W	
R322	1-216-063-91	RES, CHIP 3.9K 5% 1/10W	
R322	1-216-067-00	METAL CHIP 5.6K 5% 1/10W	(EXCEPT E580)
R323	1-249-381-11	CARBON 1 5% 1/4W F	
R324	1-216-180-00	RES, CHIP 180 5% 1/8W	
R332	1-216-083-00	METAL CHIP 27K 5% 1/10W	(E580)
R333	1-249-394-11	CARBON 12 5% 1/4W F	(E580)
R335	1-216-073-00	METAL CHIP 10K 5% 1/10W	(E580)
R336	1-216-164-00	RES, CHIP 39 5% 1/8W	
R337	1-216-164-00	RES, CHIP 39 5% 1/8W	
R344	1-216-063-91	RES, CHIP 3.9K 5% 1/10W	(EXCEPT E580)
R345	1-216-057-00	METAL CHIP 2.2K 5% 1/10W	(EXCEPT E580)
R346	1-216-065-91	RES, CHIP 4.7K 5% 1/10W	(EXCEPT E580)
R347	1-216-065-91	RES, CHIP 4.7K 5% 1/10W	(EXCEPT E580)
R348	1-216-033-00	METAL CHIP 220 5% 1/10W	(EXCEPT E580)

Ref. No.	Part No.	Description	Remark
		< TRANSFORMER >	
T321	1-431-100-11	TRANSFORMER, BIAS OSCILLATION	
T331	1-423-415-11	TRANSFORMER, BIAS OSCILLATION (E580)	
		< CAPACITOR >	
C970	1-163-259-91	CERAMIC CHIP 220PF 5% 50V	
C971	1-124-257-00	ELECT 2.2uF 20% 50V	
C972	1-163-017-00	CERAMIC CHIP 0.0047uF 5% 50V	
C973	1-164-232-11	CERAMIC CHIP 0.01uF 50V	
C974	1-109-982-11	CERAMIC CHIP 1uF 10% 10V	
C975	1-163-037-11	CERAMIC CHIP 0.022uF 10% 25V	
C976	1-163-259-91	CERAMIC CHIP 220PF 5% 50V	
C977	1-164-232-11	CERAMIC CHIP 0.01uF 50V	
C978	1-163-017-00	CERAMIC CHIP 0.0047uF 5% 50V	
C979	1-163-121-00	CERAMIC CHIP 150PF 5% 50V	
C980	1-107-725-11	CERAMIC CHIP 0.1uF 10% 16V	
C981	1-164-232-11	CERAMIC CHIP 0.01uF 50V	
C982	1-163-007-11	CERAMIC CHIP 680PF 10% 50V	
C983	1-163-009-11	CERAMIC CHIP 0.001uF 10% 50V	
C984	1-164-232-11	CERAMIC CHIP 0.01uF 50V	
C985	1-163-251-11	CERAMIC CHIP 100PF 5% 50V	
C986	1-126-157-11	ELECT 10uF 20% 16V	
C987	1-107-823-11	CERAMIC CHIP 0.47uF 10% 16V	
C988	1-163-251-11	CERAMIC CHIP 100PF 5% 50V	
C991	1-107-725-11	CERAMIC CHIP 0.1uF 10% 16V	
C992	1-164-232-11	CERAMIC CHIP 0.01uF 50V	
C993	1-164-232-11	CERAMIC CHIP 0.01uF 50V	
C994	1-164-232-11	CERAMIC CHIP 0.01uF 50V	
C995	1-126-157-11	ELECT 10uF 20% 16V	
C996	1-163-227-11	CERAMIC CHIP 10PF 0.5PF 50V	
		< CONNECTOR >	
CN970	1-573-825-11	CONNECTOR, BOARD TO BOARD 11P	
		< IC >	
IC970	8-759-438-17	IC LA7337	
		< JUMPER RESISTOR >	
JR970	1-216-296-91	SHORT 0	
JR971	1-216-296-91	SHORT 0	
JR972	1-216-296-91	SHORT 0	
JR973	1-216-295-91	SHORT 0	
JR974	1-216-295-91	SHORT 0	
		< COIL >	
L970	1-414-933-11	INDUCTOR 6.8uH	
L971	1-414-945-11	INDUCTOR 27uH	
L972	1-414-938-21	INDUCTOR 47uH	
L973	1-414-938-21	INDUCTOR 47uH	
L975	1-414-934-21	INDUCTOR 10uH	

The components identified by mark △ or dotted line with mark △ are critical for safety.
 Replace only with part number specified.

Ref. No.	Part No.	Description	Remark	Ref. No.	Part No.	Description	Remark
		< TRANSISTOR >				< DIODE >	
Q970	8-729-216-22	TRANSISTOR 2SA1162		D151	8-719-043-74	DIODE AK04	
Q972	8-729-424-08	TRANSISTOR UN2111		D153	8-719-911-19	DIODE 1SS119	
Q973	8-729-422-27	TRANSISTOR 2SD601A-Q		D154	8-719-043-74	DIODE AK04	
Q974	8-729-422-27	TRANSISTOR 2SD601A-Q		D155	9-900-535-01	DIODE AU02Z	
Q975	8-729-424-08	TRANSISTOR UN2111		D203	8-719-109-85	DIODE RD5.1ES	
Q976	8-729-421-19	TRANSISTOR UN2213		D204	8-719-911-19	DIODE 1SS119	
		< RESISTOR >		D205	8-719-911-19	DIODE 1SS119	
R969	1-216-069-00	METAL CHIP 6.8K	5%	1/10W	D251	9-900-535-01	DIODE AU02Z
R970	1-216-085-00	METAL CHIP 33K	5%	1/10W	D252	8-719-510-73	DIODE S3L20U
R971	1-216-085-00	METAL CHIP 33K	5%	1/10W	D253	8-719-027-20	DIODE D3S4M
R973	1-216-081-00	METAL CHIP 22K	5%	1/10W	D254	9-900-535-01	DIODE AU02Z
R974	1-216-081-00	METAL CHIP 22K	5%	1/10W		< FUSE >	
R975	1-216-295-91	SHORT 0			△F101	1-532-388-31	FUSE (T2AL/250V)
R976	1-216-059-00	METAL CHIP 2.7K	5%	1/10W		< IC >	
R977	1-216-089-91	RES, CHIP 47K	5%	1/10W	△IC151	9-980-235-01	IC AN8028
R978	1-216-071-00	METAL CHIP 8.2K	5%	1/10W	△IC201	8-759-438-18	IC PD12RD08
R979	1-216-073-00	METAL CHIP 10K	5%	1/10W		< PHOTO COUPLER >	
R980	1-216-097-91	RES, CHIP 100K	5%	1/10W	△PC151	8-749-924-80	COUPLER, PHOTO PS2561
R981	1-216-083-00	METAL CHIP 27K	5%	1/10W		< IC LINK >	
R982	1-216-089-91	RES, CHIP 47K	5%	1/10W	△PS201	1-533-592-21	LINK, IC 49101.6 (1.6A)
R983	1-216-065-91	RES, CHIP 4.7K	5%	1/10W	△PS202	1-533-593-21	LINK, IC 491002 (2A)
R985	1-216-041-00	METAL CHIP 470	5%	1/10W	△PS251	1-533-589-11	LINK, IC 491.750 (750mA)
R986	1-216-089-91	RES, CHIP 47K	5%	1/10W		< TRANSISTOR >	
R988	1-216-083-00	METAL CHIP 27K	5%	1/10W	△Q201	8-729-113-32	TRANSISTOR 2SB733
R989	1-216-049-91	RES, CHIP 1K	5%	1/10W	Q205	8-729-019-01	TRANSISTOR 2SD2394
R990	1-216-295-91	SHORT 0			Q206	8-729-119-78	TRANSISTOR 2SC2785
R993	1-216-071-00	METAL CHIP 8.2K	5%	1/10W	Q207	8-729-177-32	TRANSISTOR 2SD773
R994	1-216-689-11	METAL CHIP 39K	0.5%	1/10W	Q211	8-729-422-72	TRANSISTOR UN4211
R995	1-216-073-00	METAL CHIP 10K	5%	1/10W		< RESISTOR >	
R996	1-216-689-11	METAL CHIP 39K	0.5%	1/10W	R252	9-980-233-01	FUSIBLE 0.47 1/4W
R997	1-216-073-00	METAL CHIP 10K	5%	1/10W			
R998	1-216-073-00	METAL CHIP 10K	5%	1/10W			
R999	1-216-295-91	SHORT 0					
	1-468-270-11	SR-825 BLOCK (Ref.No. 3,000Series) *****					
		< CAPACITOR >				MISCELLANEOUS *****	
C151	9-980-236-01	ELECT 47uF		400V	10	1-783-166-11	CABLE, FLAT (FFM-17)
C153	1-126-967-11	ELECT 47uF		50V	16	1-762-844-31	SWITCH, ROTARY (CLICK SHUTTLE) (E580)
C154	1-126-960-11	ELECT 1uF		50V	27	1-783-169-11	CABLE, FLAT (FFD-2)
C201	1-126-934-11	ELECT 220uF		16V	△55	1-782-012-11	CORD, POWER
C202	1-126-925-11	ELECT 470uF		10V	59	1-779-725-11	BOARD TO BOARD (5P) CONNECTOR
C203	1-126-934-11	ELECT 220uF		16V	704	1-500-144-11	HEAD, FE
C204	1-126-933-11	ELECT 100uF		16V	721	A-6759-620-A	HEAD BLOCK ASSY, ACE (ALPS) EURO
C205	1-126-965-11	ELECT 22uF		50V	768	1-759-371-11	DRUM ASSY (DZH-85A-R) (E580)
C206	1-126-947-11	ELECT 47uF		35V	768	1-759-373-11	DRUM ASSY (DZH-86A-R) (EXCEPT E580/E730B/E735B)
C207	1-126-965-11	ELECT 22uF		50V	768	1-759-557-11	DRUM ASSY (DZH-98A-R) (E730B/E735B)
C208	1-126-925-11	ELECT 470uF		10V	M902	1-698-971-11	MOTOR, DC (CAPSTAN)
C251	1-126-967-11	ELECT 47uF		50V	M903	X-3947-577-1	MOTOR ASSY, CAM
C252	1-126-183-11	ELECT 1000uF		16V			
C253	1-126-927-11	ELECT 2200uF		10V			
C254	1-126-935-11	ELECT 470uF		16V			

The components identified by mark △ or dotted line with mark △ are critical for safety.
Replace only with part number specified.

Ref. No.	Part No.	Description	Remark
ACCESSORIES & PACKING MATERIALS *****			
	1-475-563-11	COMMANDER, STANDARD (RMT-V223) (E727/E730: VC, VP/E735VC/E780: EG, EN)	
	1-475-563-21	COMMANDER, STANDARD (RMT-V223A) (E730: EX, UX)	
	1-475-563-31	COMMANDER, STANDARD (RMT-V223B) (E730B/E735B)	
	1-475-564-11	COMMANDER, STANDARD (RMT-V224) (E580EG)	
	1-475-564-41	COMMANDER, STANDARD (RMT-V224C) (E580EE)	
	1-475-565-31	COMMANDER, STANDARD (RMT-V220B) (E630)	
	1-475-566-51	COMMANDER, STANDARD (RMT-V221D) (E780EE)	
△	1-696-593-11	CORD, CONNECTION (PAL) (ANT) (1.5m)	
	1-770-019-11	ADAPTOR, CONVERSION PLUG 3P (E730EX/E730UX)	
	3-861-925-11	MANUAL, INSTRUCTION (ENGLISH) (E580EE)	
	3-861-925-21	MANUAL, INSTRUCTION (RUSSIAN) (E580EE)	
	3-861-926-11	MANUAL, INSTRUCTION (ENGLISH) (E580EG)	
	3-861-926-21	MANUAL, INSTRUCTION (POLISH) (E580EG)	
	3-861-926-31	MANUAL, INSTRUCTION (CZECH) (E580EG)	
	3-861-926-41	MANUAL, INSTRUCTION (HUNGARIAN) (E580EG)	
	3-861-927-11	MANUAL, INSTRUCTION (ENGLISH) (E580: EG, EN)	
	3-861-927-21	MANUAL, INSTRUCTION (POLISH) (E780EN)	
	3-861-927-31	MANUAL, INSTRUCTION (CZECH) (E780EG)	
	3-861-927-41	MANUAL, INSTRUCTION (HUNGARIAN) (E780EG)	
	3-861-928-11	MANUAL, INSTRUCTION (ENGLISH) (E780EE)	
	3-861-928-21	MANUAL, INSTRUCTION (RUSSIAN) (E780EE)	
	3-861-938-11	MANUAL, INSTRUCTION (FRENCH) (E730: NC, VP)	
	3-861-938-21	MANUAL, INSTRUCTION (GERMAN) (E727/E730: NC, VC, VP/E735VC)	
	3-861-938-31	MANUAL, INSTRUCTION (SPANISH) (E730NP)	
	3-861-938-41	MANUAL, INSTRUCTION (DUTCH) (E730: NC, NP)	
	3-861-938-51	MANUAL, INSTRUCTION (ITALIAN) (E730VP)	
	3-861-938-61	MANUAL, INSTRUCTION (PORTUGUESE) (E730NP)	
	3-861-938-71	MANUAL, INSTRUCTION (GREEK) (E730VP)	
	3-861-939-11	MANUAL, INSTRUCTION (SWEDISH) (E730NC/E735NC)	
	3-861-939-21	MANUAL, INSTRUCTION (FINNISH) (E730NC/E735NC)	
	3-861-939-31	MANUAL, INSTRUCTION (DANISH) (E730NC/E735NC)	
	3-861-940-11	MANUAL, INSTRUCTION (FRENCH) (E630NP)	
	3-861-940-21	MANUAL, INSTRUCTION (GERMAN) (E630NP)	
	3-861-940-31	MANUAL, INSTRUCTION (SPANISH) (E630NP)	
	3-861-940-41	MANUAL, INSTRUCTION (DUTCH) (E630)	
	3-861-940-51	MANUAL, INSTRUCTION (SWEDISH) (E630NP)	
	3-861-940-61	MANUAL, INSTRUCTION (FINNISH) (E630NP)	
	3-861-940-71	MANUAL, INSTRUCTION (DANISH) (E630NP)	

Ref. No.	Part No.	Description	Remark
	3-861-941-21	MANUAL, INSTRUCTION (FRENCH) (E730B/E735B)	
	3-861-943-11	MANUAL, INSTRUCTION (FRENCH) (E730VP)	
	3-861-943-21	MANUAL, INSTRUCTION (GERMAN) (E727/E730: VC, VP/E735VC)	
	3-861-943-31	MANUAL, INSTRUCTION (DUTCH) (E730VP)	
	3-861-943-41	MANUAL, INSTRUCTION (ITALIAN) (E730VP)	
	3-861-943-51	MANUAL, INSTRUCTION (GREEK) (E730VP)	
	3-861-944-11	MANUAL, INSTRUCTION (DUTCH) (E630AE)	
	3-861-944-21	MANUAL, INSTRUCTION (ITALIAN) (E630AE)	
	3-861-945-11	MANUAL, INSTRUCTION (ENGLISH) (E730: EX, UX)	
*	3-987-827-01	INDIVIDUAL CARTON (E730: NC, NP, VC, VP)	
*	3-987-827-11	INDIVIDUAL CARTON (E730: EX, UX)	
*	3-987-827-21	INDIVIDUAL CARTON (E727)	
*	3-987-827-31	INDIVIDUAL CARTON (E630)	
*	3-987-827-41	INDIVIDUAL CARTON (E735NC/E735VC)	
*	3-987-827-51	INDIVIDUAL CARTON (E780EE)	
*	3-987-827-61	INDIVIDUAL CARTON (E580EG)	
*	3-987-827-71	INDIVIDUAL CARTON (E580EE)	
*	3-987-827-81	INDIVIDUAL CARTON (E780EG)	
*	3-987-827-91	INDIVIDUAL CARTON (E780EN)	
*	3-987-828-01	INDIVIDUAL CARTON (E730B)	
*	3-987-828-11	INDIVIDUAL CARTON (E735B)	

HARDWARE LIST

#1	7-685-648-79	SCREW +BVTP 3X12 TYPE2
#2	7-682-547-04	SCREW +P 3X6
#3	7-685-646-79	SCREW +BVTP 3X8 TYPE2 IT-3
#4	7-685-133-19	SCREW (DIA. 2.6) (IT3B)

The components identified by mark △ or dotted line with mark △ are critical for safety.
Replace only with part number specified.